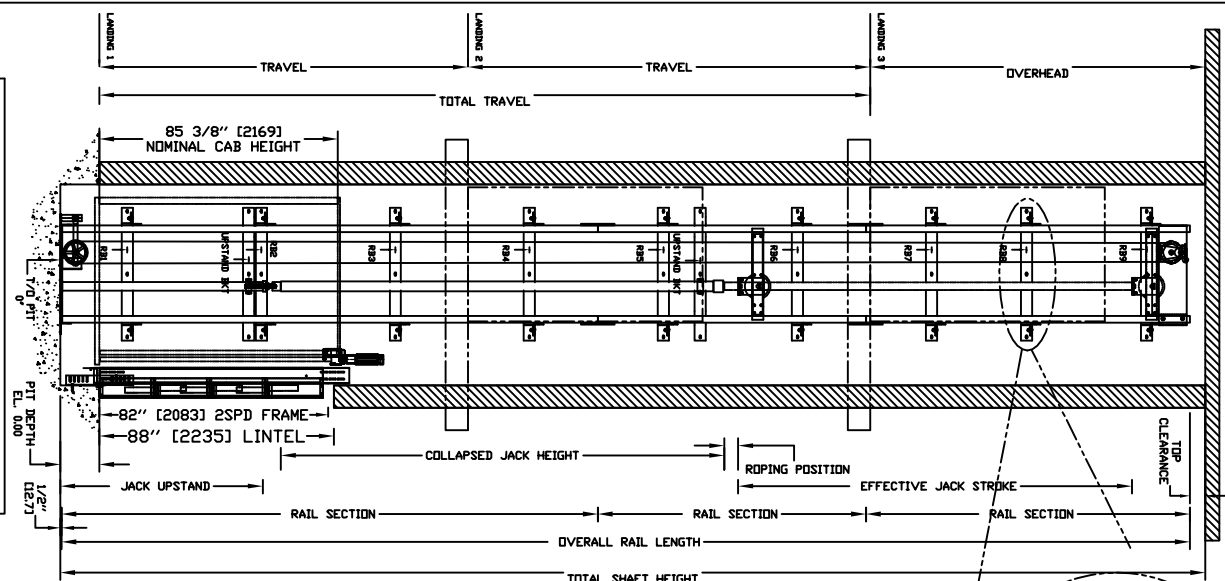


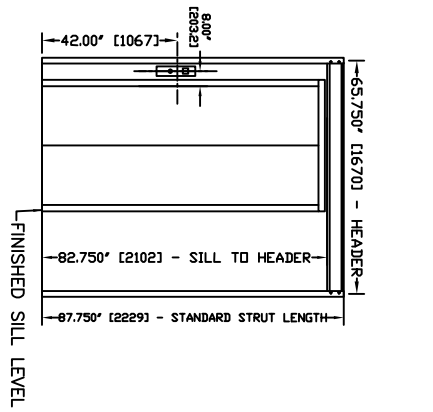
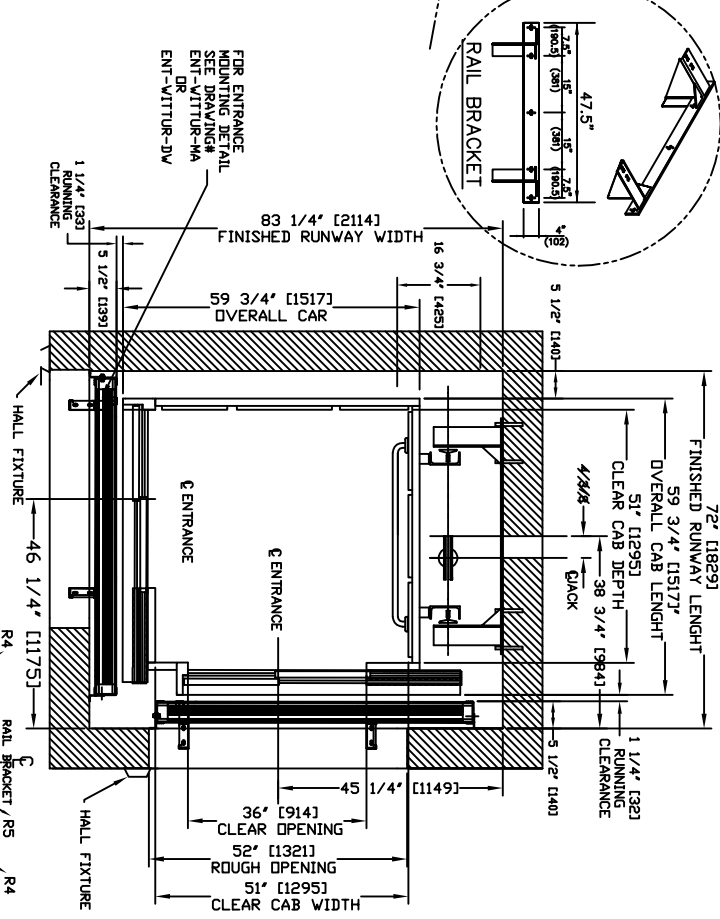
SECTIONAL VIEW - ORION-5151WS(T3)



PIT / OVERHEAD REQUIREMENTS			
MAX SPEED (ft/min)	PIT	TOTAL TRAVEL	OVERHEAD
30	14" ***	131'(3327)	120'(3048)

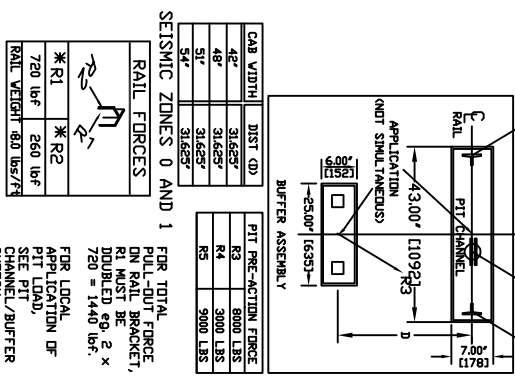
*** NOTE: Additional pit equipment required when over 36" deep, consult your local dealer for details

PLAN VIEW - ORION-5151WS(T3) 2 SPEED WITTUR DOORS



NOTE A
WHERE SMOKE DETECTORS ARE REQUIRED, WIRING FROM A NORMALLY CLOSED CONTACT AT BOTH THE DESIGNATED RETURN LANDING, SMOKE DETECTORS AND ALTERNATE RETURN LANDING SMOKE DETECTOR SHALL BE PROVIDED REPEATEDLY AT ALL LANDING DETECTORS MUST BE PROVIDED TO THE CONTROLLER.

NOTE B
ALL INFORMATION IS SUBJECT TO CHANGE. PLEASE REFERENCE OUR ON-LINE DRAWINGS AT WWW.CONCORDELEVATOR.COM FOR THE MOST RECENT UPDATES



CAB WIDTH	DIST. (D)	PIT PRE-ACTION FORCE
42"	31.655"	800 LBS
48"	31.655"	3000 LBS
54"	31.655"	3000 LBS

***ELECTRICAL**
OWNER SUPPLY - (SEE SPECIFICATIONS) LOCKABLE FUSED DISCONNECT MUST BE INSTALLED TO BREAK THE BATTERY FEED, OR CIRCUIT BREAKER WITH A 30 AMP BREAKER FOR THE BATTERY FEED, IN COMPLIANCE WITH ELECTRICAL CODE AS FOLLOWS (LOCATED ON WALL ON LOCK JAMB SIDE OF MACHINE ROOM DOOR) PERMANENT POWER- BEFORE INSTALLATION CAN BEGIN, PERMANENT POWER MUST BE SUPPLIED.
LIGHTING- OWNER/AGENT TO ENSURE AT LEAST 5 FTC OR 54 LUX AMBIENT LIGHTING OVER ELEVATOR AREA.
***ENTRANCES**
ESSICA PANEL BELOW UPPER LEVEL ENTRANCE- WHERE REQUIRED, FASCIA PANEL MUST BE FASTENED TO A SOLID WALL AND BE PERPENDICULAR TO THE FLOOR AND WALLS. HOSTWAY FASCIA IS NOT SELF-SUPPORTING FOR LONG, CONTINUOUS FASCIA VOID OF ENRICHES ABOVE THE SUPPORT AND THE FASCIA MUST BE PROVIDED BY OTHERS.
ENTRANCE ASSEMBLIES- ENTRANCE ASSEMBLIES MUST BE ADJUSTED TO ALIGN WITH PLATFORM AND INTERLOCK EQUIPMENT. OTHERS TO ALLOW AN ADEQUATE ROUGH OPENING.
RETURN WALLS- RETURN WALLS AT ENTRANCES MUST BE BUILT-IN BY OTHERS AFTER ENTRANCE ASSEMBLIES ARE IN PLACE. ENTRANCE ASSEMBLY MUST BE SECURELY FASTENED TO WALLS BY ELEVATOR CONTRACTOR.

***GENERAL**
HOSTWAY- THE HOSTWAY MUST BE IN ACCORDANCE WITH SAFETY CODE FOR ELEVATORS GSME A17.1 OR B44-2000 AND ALL STATE/PROVINCIAL AND LOCAL CODES.
PLUMB HOSTWAY- DUE TO CLOSE RUNNING CLEARANCES OWNER/AGENT MUST ENSURE THAT HOSTWAY AND PIT (WHERE PROVIDED) ARE LEVEL, PLUMB AND SQUARE AND ARE IN ACCORDANCE WITH THE DIMENSIONS ON THESE DRAWINGS.
MINIMUM OVERHEAD CLEARANCE- OWNER/AGENT MUST ENSURE MINIMUM OVERHEAD CLEARANCE IS IN COMPLIANCE WITH CODES.
CONSTRUCTION SITE- OWNER/AGENT TO PROVIDE ALL MASONRY, CARPENTRY AND DRYWALL WORK AS REQUIRED AND SHALL PATCH AND MAKE GOOD (INCLUDING FINISH PAINTING) ALL AREAS WHERE WALLS/FLOORS MAY REQUIRE TO BE CUT, DRILLED OR ALTERED IN ANY WAY TO PERMIT THE PROPER INSTALLATION OF THE LIFT.
DIMENSIONS
CONTRACTOR/CUSTOMER TO VERIFY ALL DIMENSIONS AND REPORT ANY DISCREPANCIES TO OUR OFFICE IMMEDIATELY.
***STRUCTURAL**
FLOOR/SUPPORT WALL LOADS- STRUCTURAL ENGINEER TO ASSURE THAT BUILDING AND SHAFT WILL SAFELY SUPPORT ALL LOADS IMPOSED BY THE LIFT EQUIPMENT. REFER TO THE TABLES ON THIS DRAWING FOR LOADS IMPOSED BY THE EQUIPMENT.
DOORS- SUITABLE LINTELS MUST BE PROVIDED BY OWNER/AGENT. DOOR FRAMES ARE NOT DESIGNED TO SUPPORT OVERHEAD WALL LOADS.
***MACHINE ROOM**
LOCATION / ACCESS- MACHINE ROOM LOCATED AT THE LOWEST LEVEL. ADJACENT TO HOSTWAY, UNLESS SHOWN OTHERWISE ON THE LAYOUT DRAWINGS. FIELD ADJUSTMENT BY INSTALLER MAY BE NECESSARY TO MEET JOB SITE CONDITIONS OR REGULATIONS.
TO MACHINE ROOM TO BE THROUGH A SELF CLOSING AND SELF LOCKING DOOR.
SLEEVES FOR OIL & ELECTRIC LINES- PROVIDED BY OTHERS, FROM MACHINE ROOM TO HOSTWAY, POSITION PER INSTALLERS INSTRUCTIONS.

INPUT VOLTAGE	DISCONNECT	TIME DELAY	FULL LOAD (V/PH/CYCLE)	SIZE (AMPS)	FUSE (AMPS)	CURRENT (AMPS)
208	3PH/60HTZ	30	30	15.6		
230	1PH/60HTZ	60	50	21		
			115/1PH	15		



LU/LA
ORION MODEL 5151 (T3)

REV-000