

NOTES:

A: DRYWALL OR PARGING (BY OTHERS) AS REQ'D.

C: SEE DATASHEET OF THE INSTALLATION DRAWING FOR LANDING ENTRANCE SCHEDULE.

D: ALL INFORMATION IS SUBJECT TO CHANGE. PLEASE REFERENCE OUR ON-LINE DRAWINGS AT www.concordellevator.com FOR THE MOST RECENT UPDATES.

GENERAL SPECIFICATIONS:

- EACH POWERED HEADER SHALL BE SUPPLIED AS A FINISHED ASSEMBLY READY TO INSTALL INTO FRAMING. NOTE/WOOD FALSE HEADER MUST BE CUT TO SIZE.
- DOOR FRAME SHALL BE WOOD CONSTRUCTION WHERE OPERATOR IS MOUNTED
- DOORS SUPPLIED BY SAVARIA/CONCORD SHALL BE HOLLOW-CORE, 1.375" THICK, SWINGING ON HINGES.
- OPERATOR COMPONENTS ARE FABRICATED FROM ZINC SATIN-COATED STEEL WITH ZINC RICH PRIMER OR FACTORY APPLIED POWDER-COAT FINISH WHERE PARTS ARE VISIBLE TO END-USER

HARDWARE:

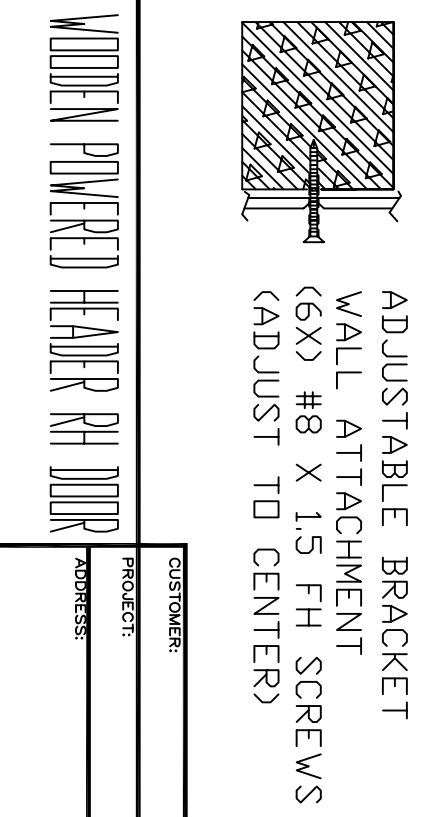
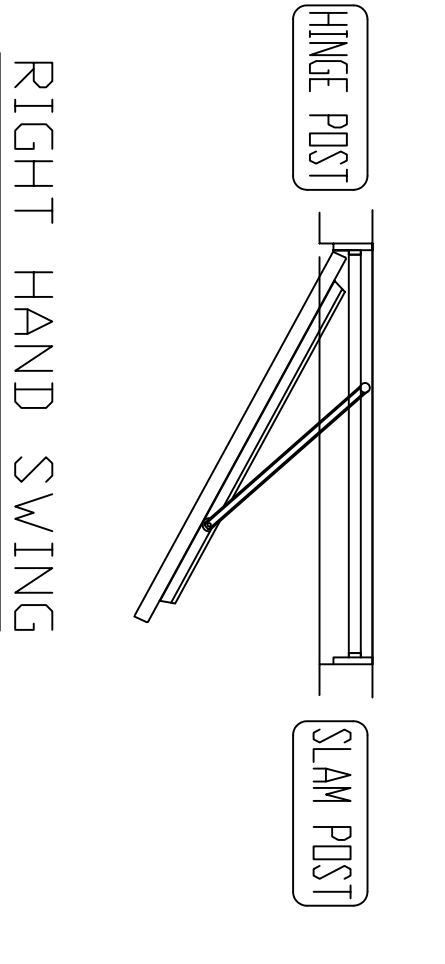
PULL HANDLE - SUPPLIED BY OTHERS

CLOSER/OPENER: CONCORD PRO AUTO III

LOCK ASSY: SEE CHART

MOUNTING SCREWS PROVIDED

SHIMS NOT PROVIDED



CUSTOMER: _____

PROJECT: _____

ADDRESS: _____

DATE: MM/DD/YY

REVISION DATE: MM/DD/YY

COMPLETED BY: _____

JOB NO. _____

SHEET NO. _____

SAVARIA CONCORD

Your Accessibility Partners

JOB NUMBER 1 OF 1