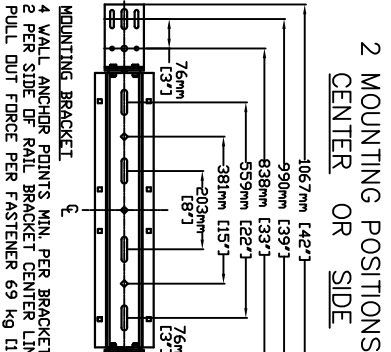
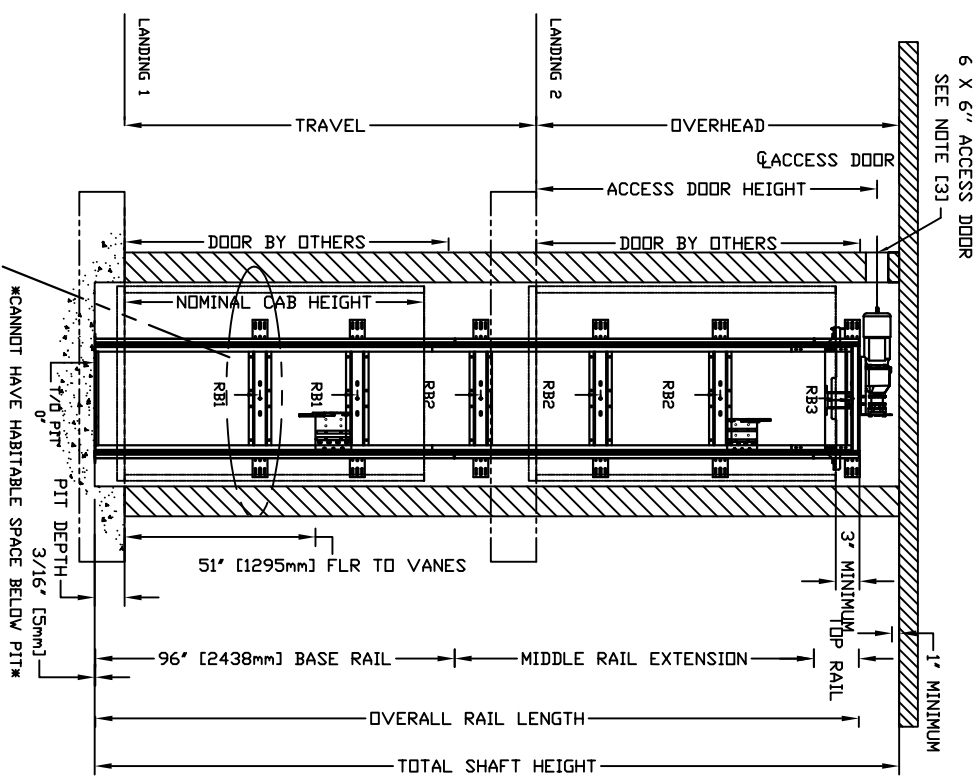


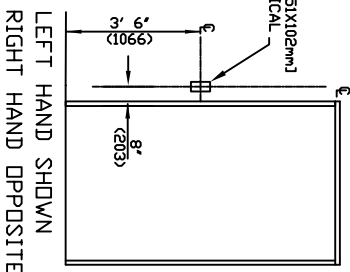
SECTIONAL VIEW - ECLIPSE Model 36X60 TYPE 5



FINAL RAIL BRACKET RB3	BELOW THE MOTOR CONCORD REPRESENTATIVE FOR EXACT LOCATION
INTERMEDIATE RAIL BRACKET RB2	32" [813mm] INTERVALS AFTER 2nd BOTTOM BRACKET
BOTTOM RAIL BRACKET RB1	44" [1118mm] & 71" [1804mm] ABOVE PIT FLOOR

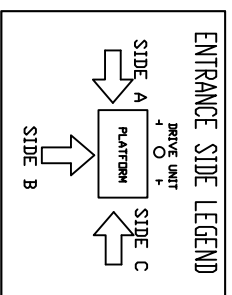
HALL BUTTON NEEDED AT ALL FLOORS

DOOR SWING



FORCES

RAIL FORCES	
*R1	882 kg
*R2	1382 kg
*R3	1304 kg
RAIL ASSEMBLY WEIGHT	643 kg / 1425 lbs
PIT FORCE: R3	2909 kg
LOAD OF (INCLUDES IMPACT)	16400 lbs

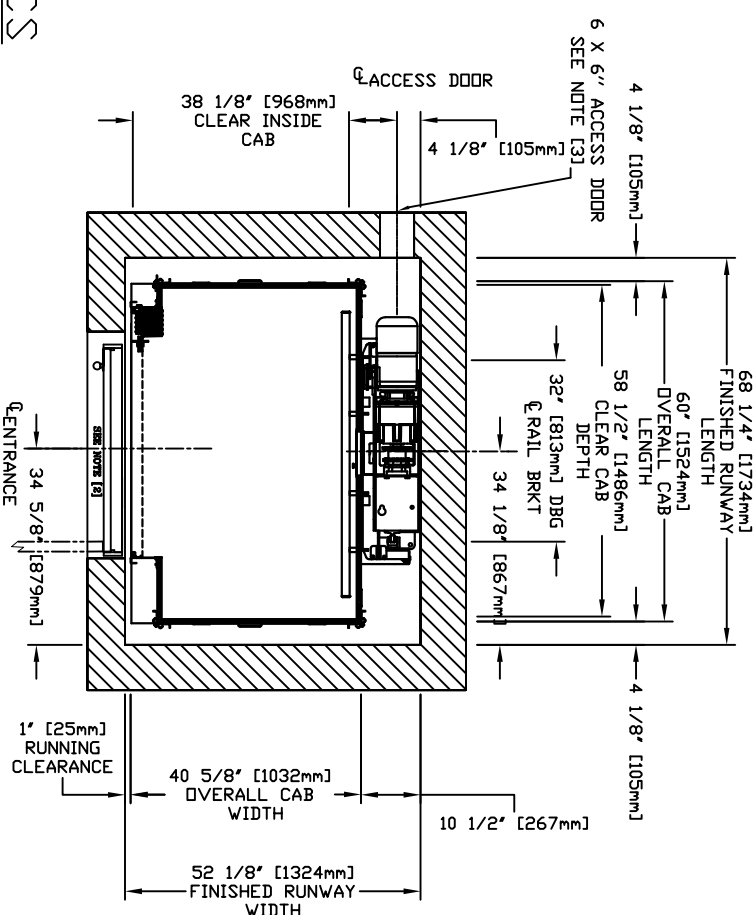


CHARACTERISTICS

GENERAL

APPLIED CODE: _____
 CAPACITY: _____ (750, 1000 LBS)
 NOMINAL SPEED: _____ 40 FPM
 TRAVEL: _____
 PIT DEPTH: _____ (MIN. 6")
CAR DETAILS
 CAB PANEL SELECTION: _____ (SEE CHART)
 CEILING SELECTION: _____ (WTH/MATCH)
 CAB FLOORING: _____ (PLYV, FINISH)
 FINISHED FLOOR THICKNESS: _____ (1/8 to 3/4")
 CAB HEIGHT: _____ (80, 96")
 CAB OPERATION: _____ (AUTO)
 GATE TYPE: _____ (YFOLD, CFOLD, CAB SILL, PFOLD CLR, PFOLD BRZ, BLK SCZR)
LOCKS/CALL STATIONS/TRAVEL/DOORS (BY OTHERS)
 TRAVEL: _____
 ENTRANCE SIDE: _____
 DOOR SWING: _____
 LOCK TYPE: _____
 AUTO DOOR OP: _____
STANDARD OPTIONS PROVIDED
 BUTTON MARKING: _____ NUMERIC (1 to 4)
 HALL CALL KEYED: _____ NO
 HALL CALL FINISH: _____ MATCH CAR STATION
 HALL CALL SHAPE: _____ RECTANGULAR
 PREWIRE PACKAGE: _____ NO
 CONTROLLER LOCATION: _____ EXTERNAL

PLAN VIEW - ECLIPSE Model 36X60 TYPE 5



PROVISIONS BY OTHERS

***HOISTWAY, CONSTRUCTION SITE, CLEARANCE**
 1- HOISTWAY CONSTRUCTION AND PIT BY OTHERS. DUE TO LIMITED SPACE WITHIN THE HOISTWAY IT IS ESSENTIAL THAT THE PIT IS LEVEL AND WALLS ARE SQUARE AND PLUMB THROUGHOUT THE HOISTWAY. THE HOISTWAY FRAMING MUST BE WITHIN 13 mm (1/2") OF PLUMB AND SQUARE FROM TOP TO BOTTOM FOR PROPER OPERATION OF THE ELEVATOR THROUGHOUT THE HOISTWAY.
 2- CLEARANCES FROM DOOR TO HOISTWAY DOOR TO BE 76 mm (3") MAXIMUM AND ELEVATOR CAR DOOR TO HOISTWAY DOOR TO BE 127 mm (5") MAXIMUM TO COMPLY WITH CSA B44 (ASME/ANSI A17.1) CONSULT YOUR LOCAL INSPECTION AUTHORITIES FOR CODES WHICH MAY TAKE PRECEDENCE.
 3- HOISTWAY MUST HAVE A MINIMUM 152 mm x 152 mm (6\"/>

DRIVE ASSEMBLY MFR: _____ CONCORD
 MOTOR: _____ 2.0 HP/1660 RPM W/Broke
 GEAR MODEL: _____ 42:17:1 Ratio Gear Box
 MOTOR CONTROLLER: _____ Pre-programmed VF Drive.
SUSPENSION
 TYPE: _____ DUAL #60 ROLLER CHAIN
 CONSTRUCTION: _____ ANSI B29.1
 NOMINAL STRENGTH: _____ 9020 LBS PER CHAIN
ELECTRICAL
 POWER SUPPLY: _____ 60 Hz/1 Phase/230 volt

CUSTOMER: _____	DATE: _____
PROJECT: _____	REVISION DATE: _____
LOCATION: _____	COMPLETED BY: _____

***ELECTRICAL**
 12- THE ELEVATOR CONTROLLER IS PROVIDED BY SAVARIA CONCORD AND IS EITHER A. ATTACHED TO THE RAIL WALL INSIDE THE HOISTWAY BETWEEN THE 7" RAILS WITH ACCESS EITHER UNDER THE CAB OR THROUGH THE CAB OF THE ELEVATOR OR B. IN A REMOTE LOCATION EXTERNAL TO HOISTWAY, THAT NEEDS PROPER STRUCTURAL WALL TO SUPPORT THE CONTROLLER ON ALL 4 CORNERS HOLES POSITION ARE = 597 mm (235") WIDE BY 546 mm (215") HIGH.
 13- ARRANGE FOR A POWER SUPPLY WITHIN SIGHT OR NEXT TO THE ELEVATOR CONTROLLER PRIOR TO DELIVERY OF THE UNIT(BOTH 115 VOLT AND 208/240 VOLT). THE 208/240 VOLT CIRCUIT SHALL ORIGINATE FROM A LOCKABLE 2 POLE FUSED DISCONNECT (20 AMP RK 5 RATED) LOCATED NEAR THE RESIDENCES INCOMING ELECTRICAL PANEL THE ELECTRICAL CIRCUIT PROVIDED FOR THE CONTROLLER SHALL BE 208/240 VOLT, SINGLE PHASE, DEICATED CIRCUIT WITH NEUTRAL AND GROUND. FUSING MUST BE SELECTIVELY COORDINATED. FUSE 208/240 VOLT FOR 20 AMP SERVICE. FUSE 115 VOLT FOR 15 AMP SERVICE FOR CAR LIGHT. A LOCKABLE AUXILIARY 240 VOLT AND 115 VOLT ELECTRICAL TO DISCONNECT INSIDE THE HOISTWAY OR IN SIGHT OF THE CONTROLLER. ALL COMPLY WITH APPLICABLE CODES.
 14- FIELD ELECTRICAL WIRING AND CONNECTIONS TO HALL-CALLS, PIT SWITCH AND INTERLOCKS ARE PROVIDED.
 15- THE ILLUMINATION SHALL BE NOT LESS THAN 200 LX (19 FC) AT THE FLOOR LEVEL IN ALL MACHINE ROOMS AND MACHINERY SPACES. THE SWITCH FOR THE LIGHT MUST BE WITHIN 457 mm (18") OF THE HOISTWAY ACCESS. THE LIGHT MUST BE GUARDED TO PREVENT ACCIDENTAL BREAKAGE OR CONTACT WITH THE HOT BULB. THE SWITCH, LIGHT, AND GUARD ARE PROVIDED AND INSTALLED BY OTHERS. (MUST COMPLY WITH APPLICABLE CODES).
 16- IF A TELEPHONE CIRCUIT IS REQUIRED (OPTION FOR ELEVATOR) JACK IS PROVIDED AND INSTALLED BY OTHERS. THIS CIRCUIT SHALL BE BROUGHT TO A LOCATION NEXT TO THE CONTROLLER AND BE AVAILABLE TO CONNECT AND TEST UPON ELEVATOR INSTALLATION.
 17- LOCATION / ACCESS- CONTROLLER ROOM* LOCATED AT THE LOWEST LEVEL ADJACENT TO HOISTWAY UNLESS SHOWN OTHERWISE ON THE LAYOUT DRAWINGS. FIELD ADJUSTMENT BY INSTALLER MAY BE NECESSARY TO MEET JOB SITE CONDITIONS OR REGULATIONS. ACCESS TO CONTROLLER ROOM TO BE THROUGH A SELF CLOSING LOCKABLE DOOR WHERE CODE CONSIDER IT AS A MACHINE ROOM
 *WHEN APPLICABLE SLEEVES FOR ELECTRIC LINES-
 18- FROM CONTROLLER ROOM TO RUNWAY AS REQUIRED.
 19- POSITION PER INSTALLERS INSTRUCTIONS.
***CODE**
 19- ALTHOUGH THE ELEVATOR IS DESIGNED TO MEET CSA B44 (ANSI A17.1), LOCAL CODES MAY VARY. DEALER IS RESPONSIBLE FOR COMPLYING WITH LOCAL CODES.
NOTE A
 ALL COMPONENTS WEIGHTS CAN BE FOUND IN THE PLANNING GUIDE
NOTE B
 ALL INFORMATION IS SUBJECT TO CHANGE.
 PLEASE REFERENCE OUR ON-LINE DRAWINGS AT
 WWW.SAVARIACONCORD.COM FOR THE MOST RECENT UPDATES

RESIDENTIAL ELEVATOR
 ECLIPSE MODEL 36X60 TYPE 5

THE INFORMATION DISCLOSED HEREIN IS THE EXCLUSIVE PROPERTY OF SAVARIA. IT IS TO BE USED BY OTHERS WITHOUT PRIOR WRITTEN CONSENT.

DATE: _____
 REVISION DATE: _____
 COMPLETED BY: _____

SHEET 1/1