

1622 [63 7/8"]
MIN. OVERALL SIZE

914 [36"]
CAB CLEAR OPENING

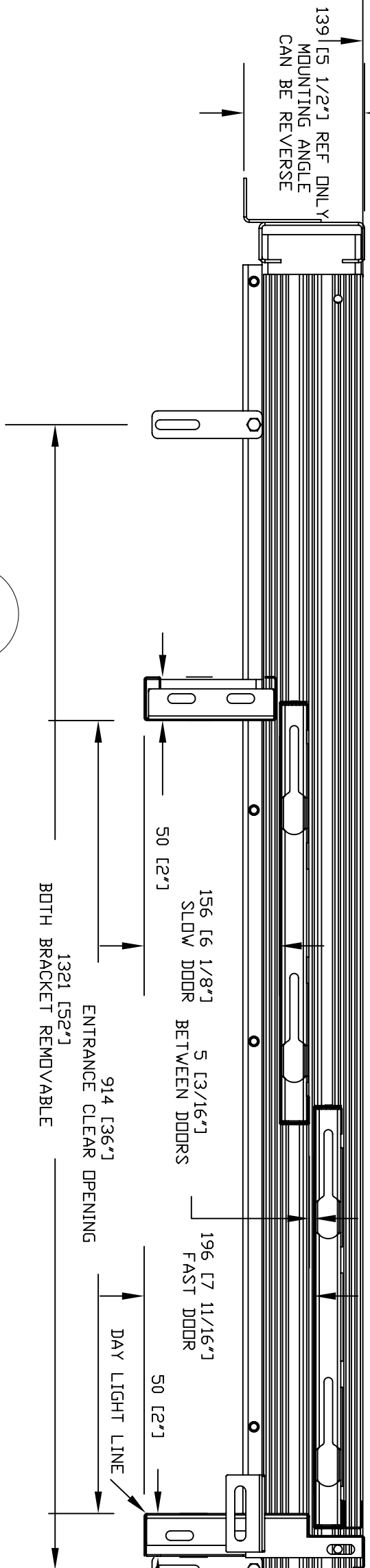
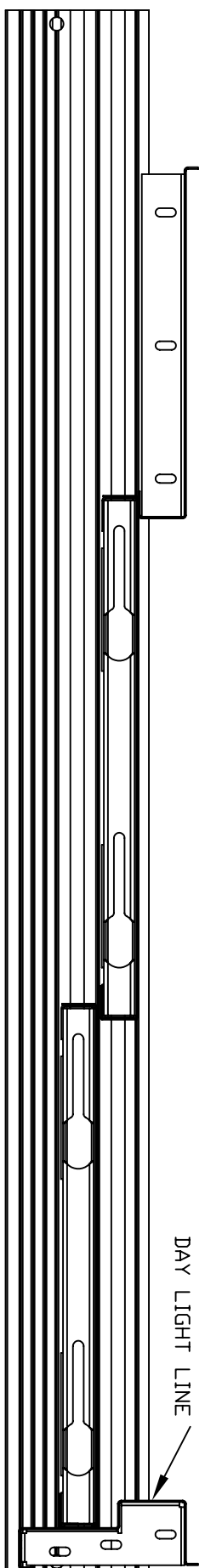
60 [2 3/8"]
DAY LIGHT LINE

127 [5"]

REVISIONS

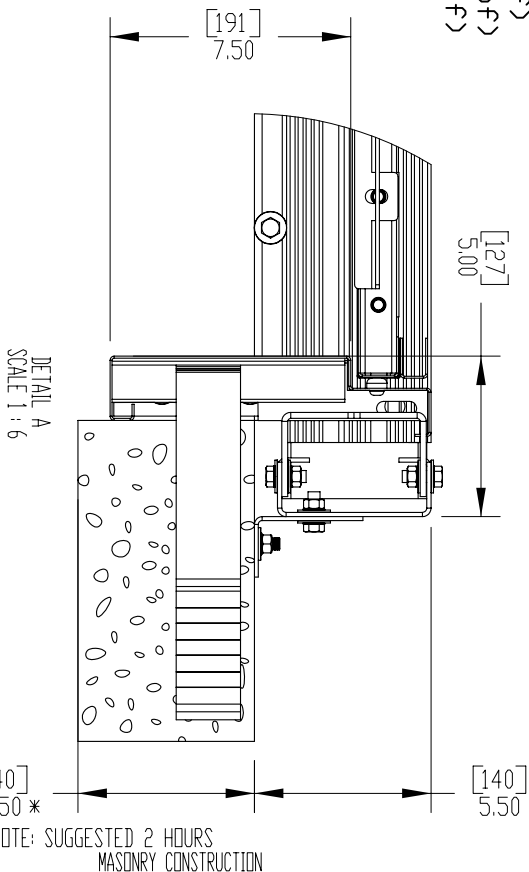
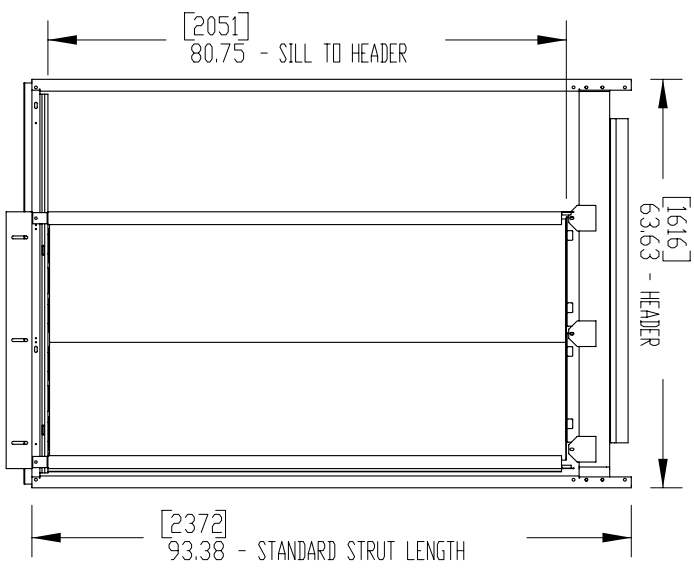
| REV | ECD NO. | DATE | REVISED BY |
|-----|-----------|------------|--------------|
| 000 | 07 - 0023 | 12/03/2007 | 1 ST RELEASE |
| 001 | | 04/05/2010 | ALEXANDRE B |

NOTE: ENTRANCE FRAME ASSEMBLY IS NOT
DESIGN TO BEAR OVERHEAD LOADS.
CONTRACTOR TO PROVIDE ADEQUATE
WALL STRUCTURE SUPPORT.

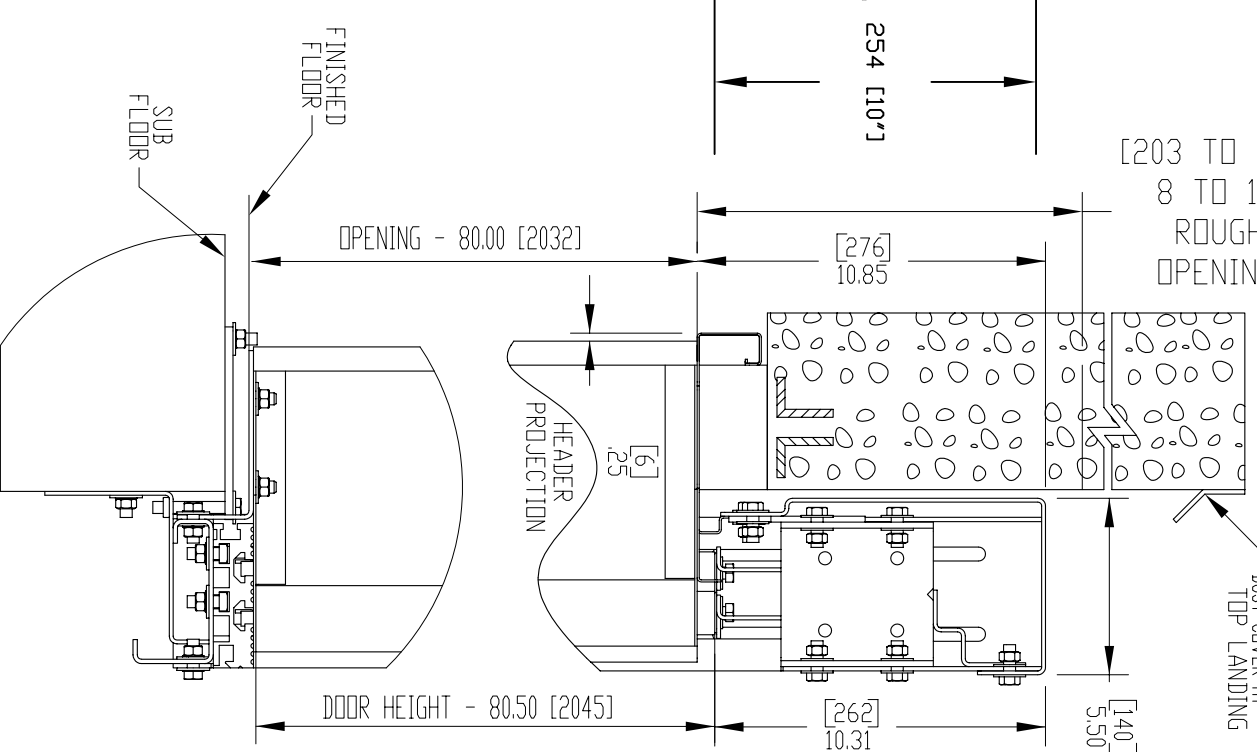


NOTE: 2 HOURS MASONRY CONSTRUCTION

ENTRANCE LOADS ON BUILDING
RH = 5000 N (1125 lbf)
RVD = 1550 N (350 lbf)
RVU = 1000 N (225 lbf)
PER SECTION 2.11.11.8.



*NOTE: SUGGESTED 2 HOURS MASONRY CONSTRUCTION



DETAIL B
SCALE 1 : 6

RIGHT HAND SHOWN

LANDING 2 SP. DOOR ASSEMBLY
MASONRY CONSTRUCTION 36 X 80

CUSTOMER: _____
PROJECT: _____
ADDRESS: _____

| |
|-----------------------------------|
| OFFICE USE ONLY: |
| CONFIGURATION VERSION STAMP: 21.5 |
| MODULE VERSION STAMP: I-S-4.3 |
| DATE: _____ |
| REVISION DATE: _____ |
| COMPLETED BY: _____ |

Part No. _____
Variant No. _____

SAVARIA
Your Accessibility Partners

JOB No. _____ SHEET No. _____