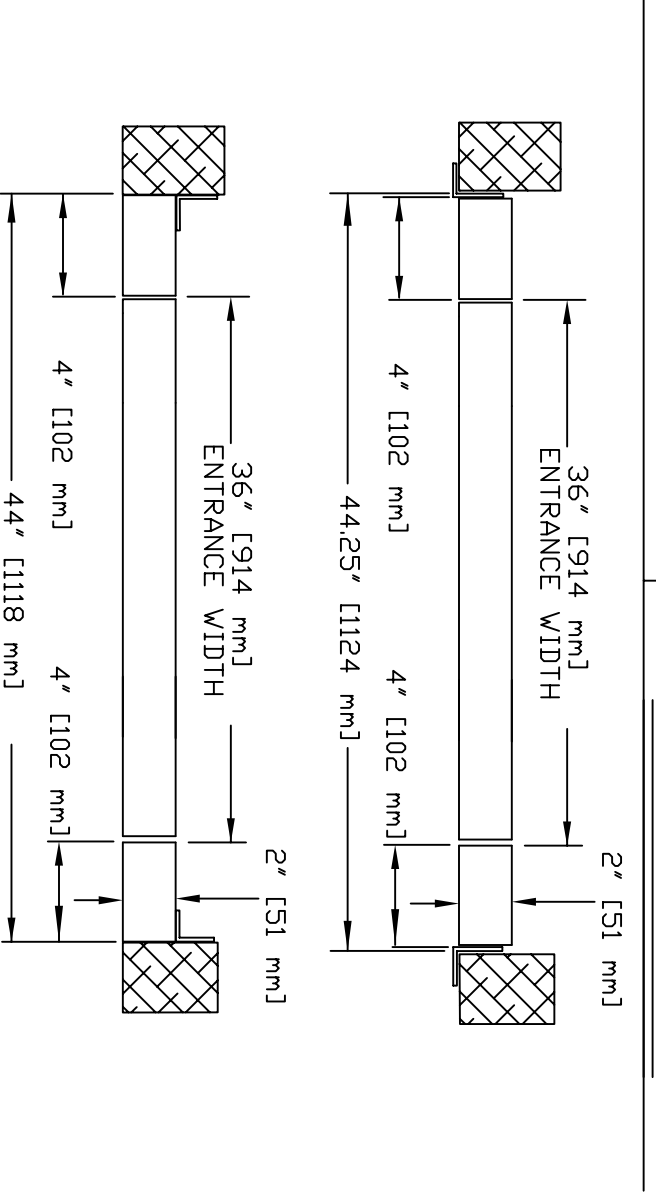
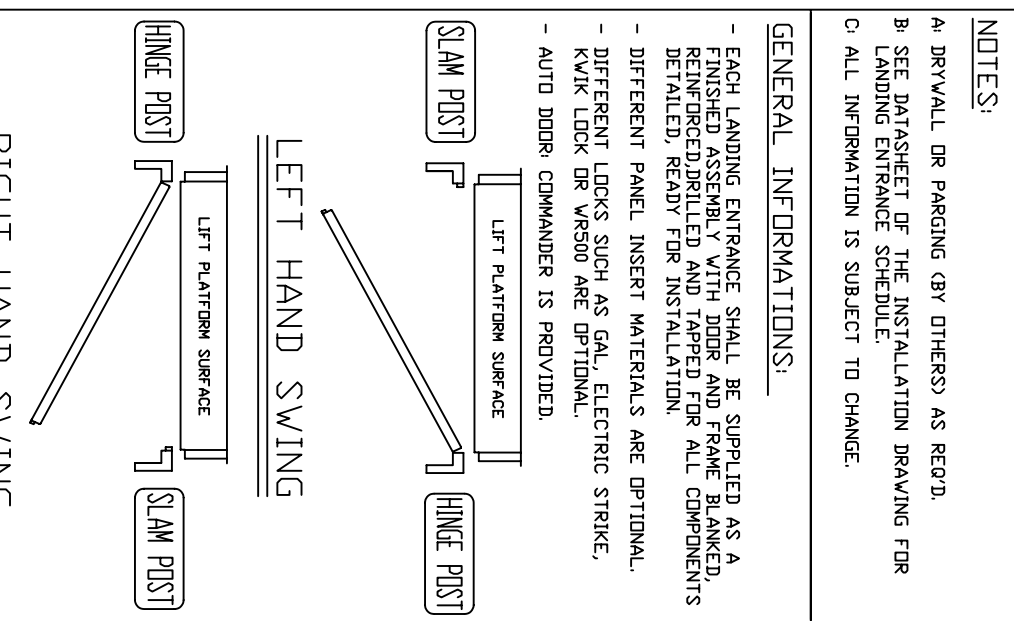
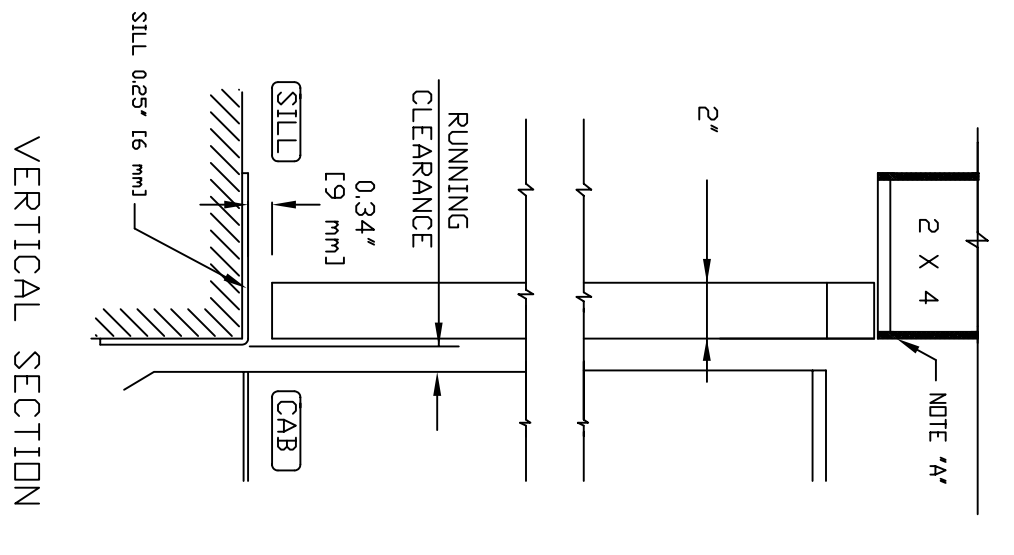


PANEL INSERT MATERIAL:

SUFFIX	DESCRIPTION
-C	CLEAR PLEXIGLASS
-B	BRONZE PLEXIGLASS
-TC	TEMPERED GLASS ETCHED FOR CANADA (ANSI Z97.1, 16 CFR, SECTIONS 1201 AND 1202, DR CAN/CSSB-12.1)
-TU	TEMPERED GLASS ETCHED FOR US (ANSI Z97.1, 16 CFR, SECTIONS 1201 AND 1202)
-LC	LAMINATED GLASS ETCHED FOR CANADA (ANSI Z97.1, 16 CFR, SECTION 1201.4 DR CAN/CSSB-12.1)
-LU	LAMINATED GLASS ETCHED FOR CANADA (ANSI Z97.1, 16 CFR, SECTION 1201.4)



- NOTES:**
- A: DRYWALL OR PARGING (BY OTHERS) AS REQ'D.
 - B: SEE DATASHEET OF THE INSTALLATION DRAWING FOR LANDING ENTRANCE SCHEDULE.
 - C: ALL INFORMATION IS SUBJECT TO CHANGE.

GENERAL INFORMATIONS:

- EACH LANDING ENTRANCE SHALL BE SUPPLIED AS A FINISHED ASSEMBLY WITH DOOR AND FRAME BLANKED, REINFORCED, DRILLED AND TAPPED FOR ALL COMPONENTS DETAILED, READY FOR INSTALLATION.
- DIFFERENT PANEL INSERT MATERIALS ARE OPTIONAL.
- DIFFERENT LOCKS SUCH AS GAL, ELECTRIC STRIKE, KWIK LOCK OR WR500 ARE OPTIONAL.
- AUTO DOOR COMMANDER IS PROVIDED.

CUSTOMER: _____
 PROJECT: _____
 ADDRESS: _____

DATE: 03/21/11
 REVISION DATE: MM/DD/YY
 COMPLETED BY:

Part No. _____
 Variant No. _____

savaria

JOB No. _____ SHEET No. 1 OF 1

80" AUTO 36" DOOR