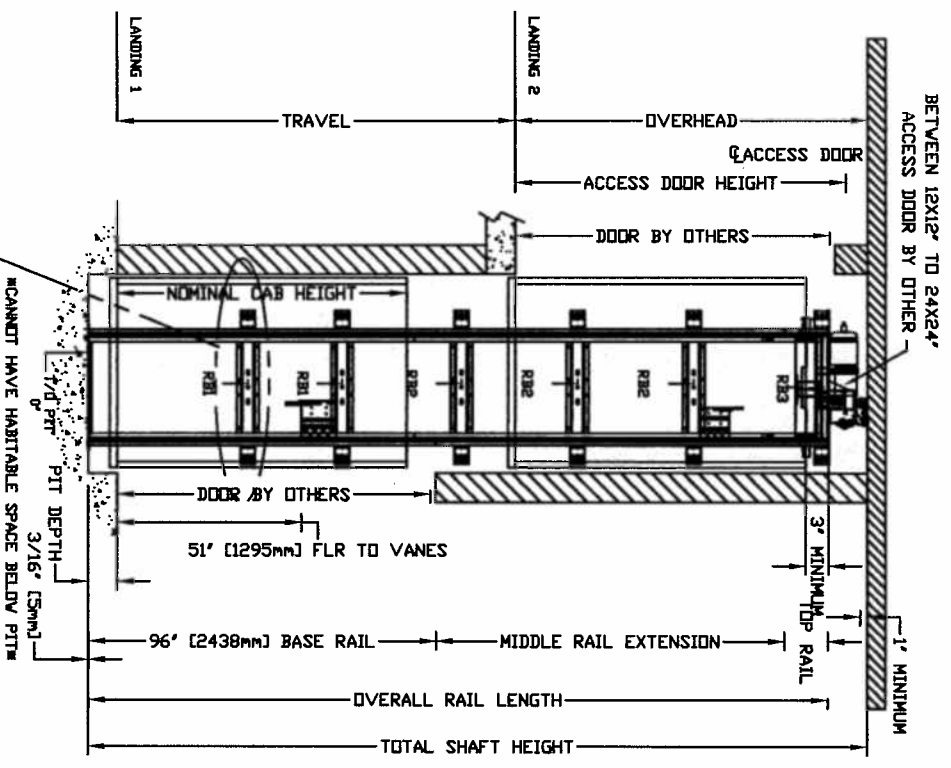
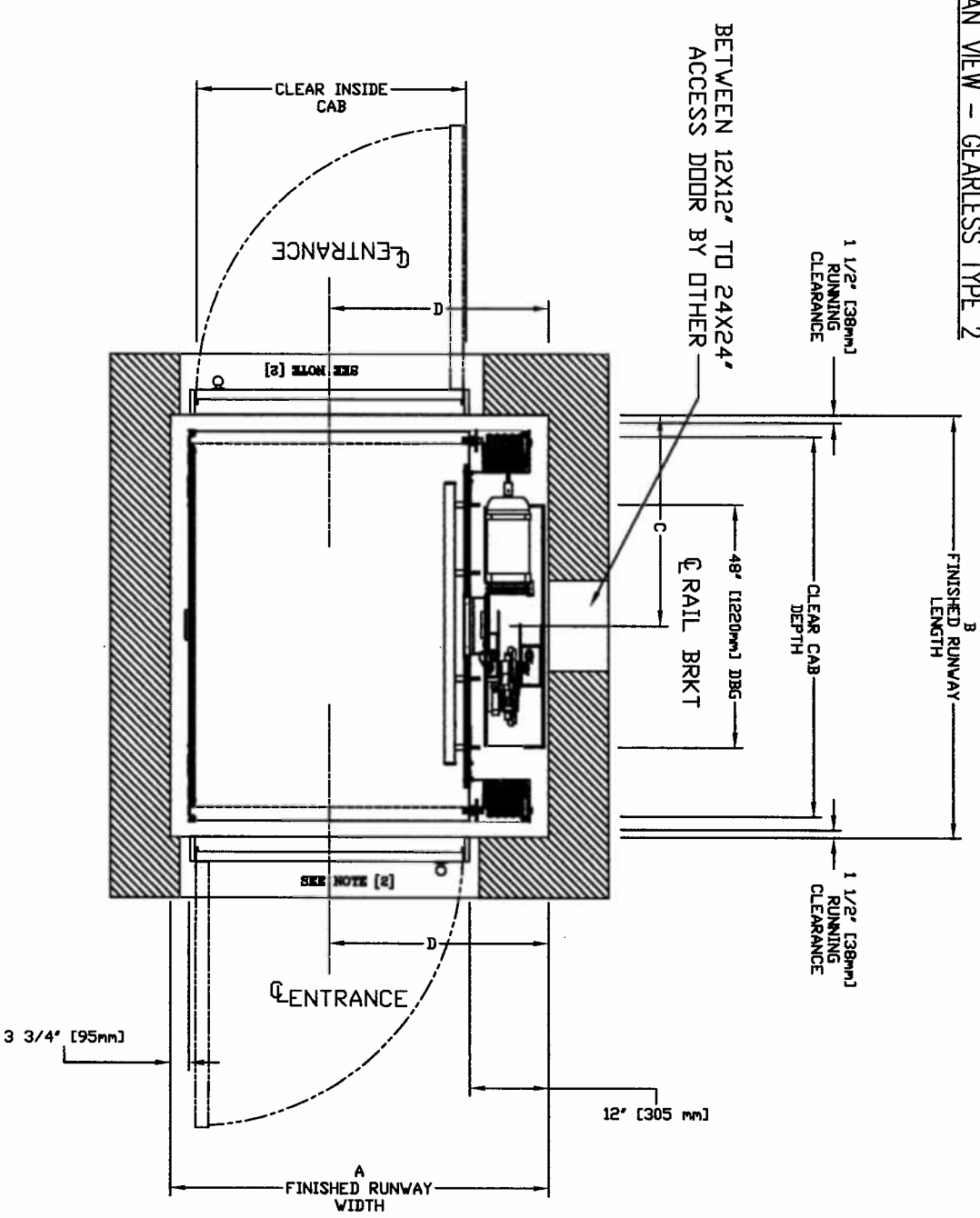


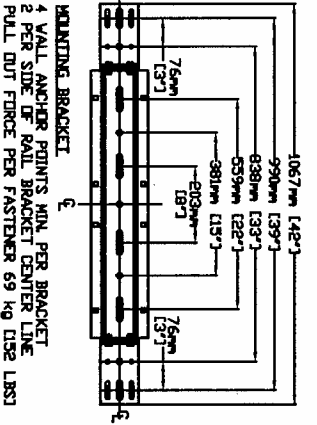
**SECTIONAL VIEW - GEARLESS TYPE 2**



**PLAN VIEW - GEARLESS TYPE 2**



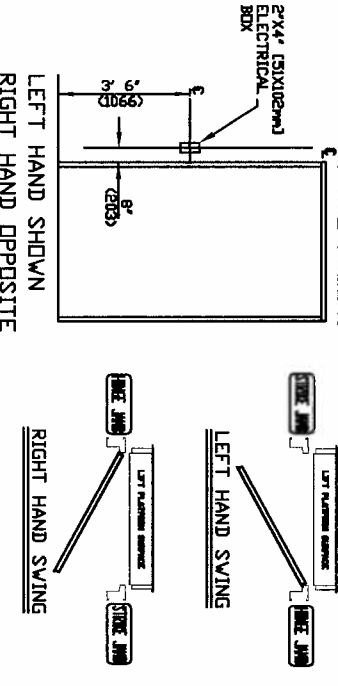
**2 MOUNTING POSITIONS  
CENTER OR SIDE**



FINAL RAIL BRACKET R1	BELOW THE MOTOR CONSULT YOUR REPRESENTATIVE FOR EXACT LOCATION R1
INTERMEDIATE RAIL BRACKET R2	32" [813mm] INTERVALS AFTER 2nd BOTTOM BRACKET R2
BOTTOM RAIL BRACKET R3	44" [1118mm] & 7" [180mm] ABOVE PIT FLOOR R3

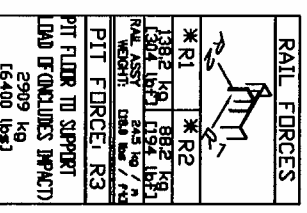
1 WALL ANCHOR POINTS MIN. PER BRACKET.  
2 PER SIDE OF RAIL BRACKET CENTER LINE.  
PULL OUT FORCE PER FASTENER 69 kg (152 LBS)

HALL BUTTON NEEDED AT ALL FLOORS

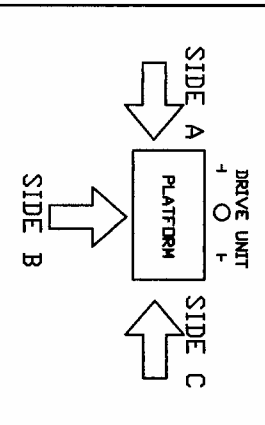


CLEAR INSIDE CAB WIDTH	CLEAR INSIDE CAB LENGTH	A FINISHED RUNWAY WIDTH		B FINISHED RUNWAY LENGTH		C RAIL CENTER LINE		D DOOR CENTER LINE	
		mm	Inches	mm	Inches	mm	Inches	mm	Inches
914	1219	48	1346	53	1359	679	26 3/4	781	30 3/4
914	1372	54	1346	53	1511	756	29 3/4	781	30 3/4
914	1524	60	1346	53	1664	832	32 3/4	781	30 3/4
1016	1372	54	1448	57	1511	756	29 3/4	883	34 3/4

**RAIL FORCES**



**ENTRANCE SIDE LEGEND**



**RESIDENTIAL ELEVATOR  
GEARLESS TYPE 2**

CUSTOMER: \_\_\_\_\_ DATE: \_\_\_\_\_  
 PROJECT: \_\_\_\_\_ PROJECT DATE: \_\_\_\_\_  
 LOCATION: \_\_\_\_\_ COMPLETED BY: \_\_\_\_\_  
 THE INFORMATION DISCLOSED HEREIN IS THE EXCLUSIVE PROPERTY OF Savarid.  
 NO MAY NOT BE USED BY OTHERS WITHOUT WRITTEN PERMISSION FROM SAVARID COMPANY.