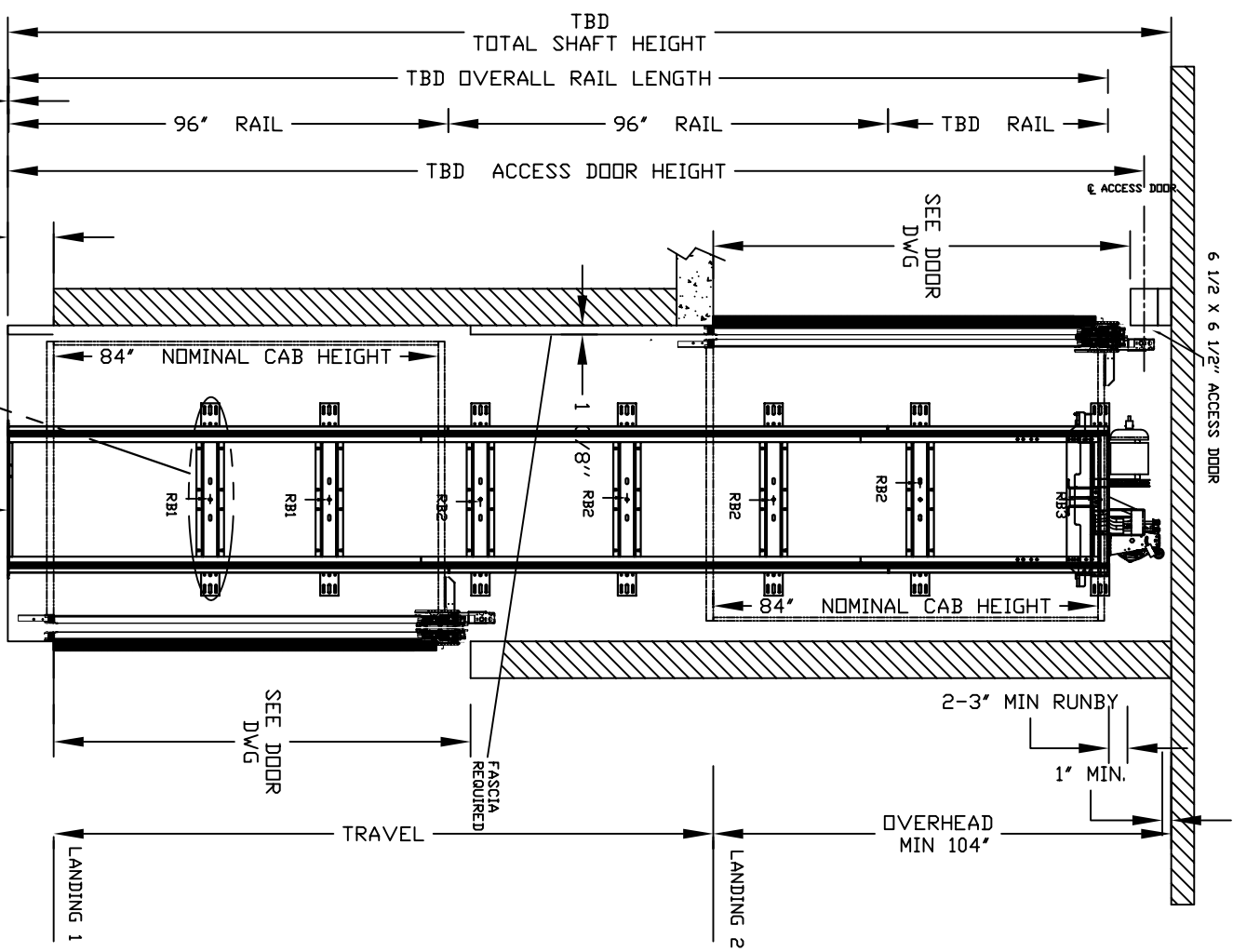
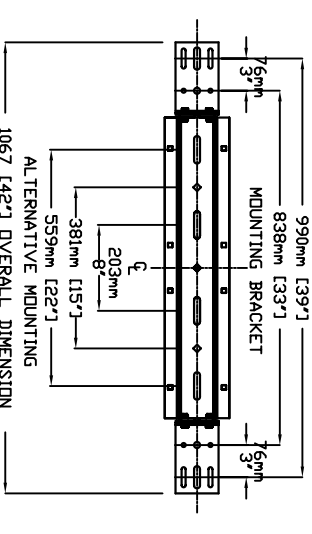


# GEARLESS AUTO SLIM DOORS Model TYPE 2



\*CANNOT HAVE HABITABLE SPACE BELOW PIT\*



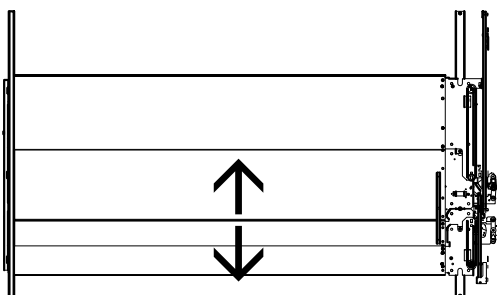
MOUNTING BRACKET  
 4 WALL ANCHOR POINTS MIN. PER BRACKET  
 2 PER SIDE OF RAIL BRACKET CENTER LINE  
 PULL OUT FORCE PER FASTENER 69 KG [152 LBS]

RAIL FORCES	RAIL R1	RAIL R2
*R1	1382 KG [304 lbf]	882 KG [194 lbf]
RAIL ASSY WEIGHT:	245 KG / m [540 lbs / ft]	
PIT FLOOR TO SUPPORT LOAD (INCLUDES IMPACT)	2909 KG [6400 lbs]	

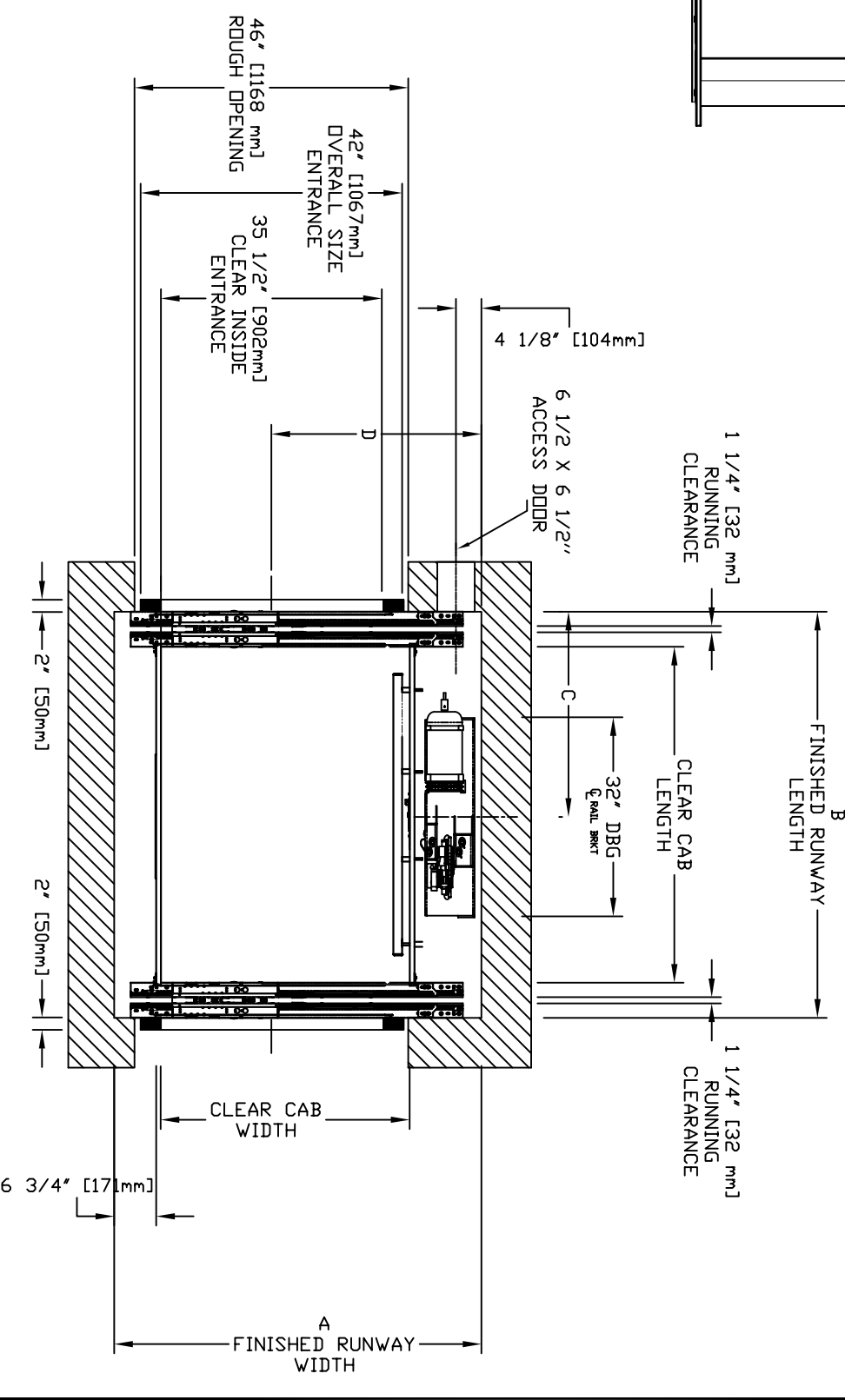
RAIL BRACKET	FINAL RAIL BRACKET	INTERMEDIATE RAIL BRACKET	BOTTOM RAIL BRACKET
RB3	RB2	RB1	RB1
BELOW THE MOTOR CONCORD REPRESENTATIVE FOR EXACT LOCATION	32" [813mm] INTERVALS AFTER 2nd BOTTOM BRACKET	39" [991mm] & 71" [1804mm] ABOVE PIT FLOOR	

## ENTRANCE



## CHARACTERISTICS

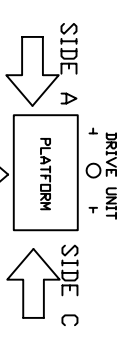
- CAB DOOR TYPE: AUTO SLIM 2 SPEED DOORS
- ENTRANCE DOOR TYPE: AUTO SLIM 2 SPEED DOORS
- 2 SPEED DOORS FINISH: PAINT OR STAINLESS STEEL
- FULLY AUTOMATIC OPERATION TO OPEN THE DOORS UPON ARRIVAL AT THE LANDING
- LIGHTWEIGHT ALUMINUM SILL
- EMERGENCY BACK-UP BATTERY SYSTEM
- INFRARED DETECTION SYSTEM TO RETRACT DOORS BEFORE HITTING AN OBSTRUCTION



CLEAR INSIDE CAB WIDTH	CLEAR INSIDE CAB LENGTH	A		B		C		D			
		mm	Inches	mm	Inches	mm	Inches	mm	Inches		
914	36	1219	48	1499	59	1518	59 3/4	759	29 7/8	838	33
914	36	1372	54	1499	59	1670	65 3/4	835	32 7/8	838	33
914	36	1524	60	1499	59	1822	71 3/4	911	35 7/8	838	33
1016	40	1372	54	1524	60	1670	65 3/4	835	32 7/8	883	34 3/4

DOCUMENT REVISION 000, DATE: 02/22/12

### ENTRANCE SIDE LEGEND



## RESIDENTIAL ELEVATOR GEARLESS SLIMS DOORS TYPE 2

ALL INFORMATION IS SUBJECT TO CHANGE.  
 PLEASE REFERENCE OUR ON-LINE DRAWINGS AT  
[WWW.SAVARIA.COM](http://WWW.SAVARIA.COM) FOR THE MOST RECENT UPDATES



THE INFORMATION DISCLOSED HEREIN IS THE EXCLUSIVE PROPERTY OF SAVARIA AND MAY NOT BE USED BY OTHERS WITHOUT PRIOR WRITTEN CONSENT