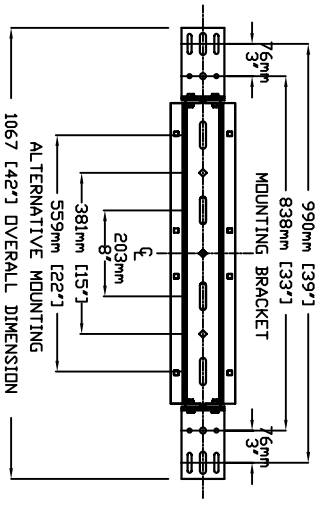
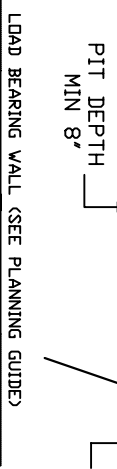
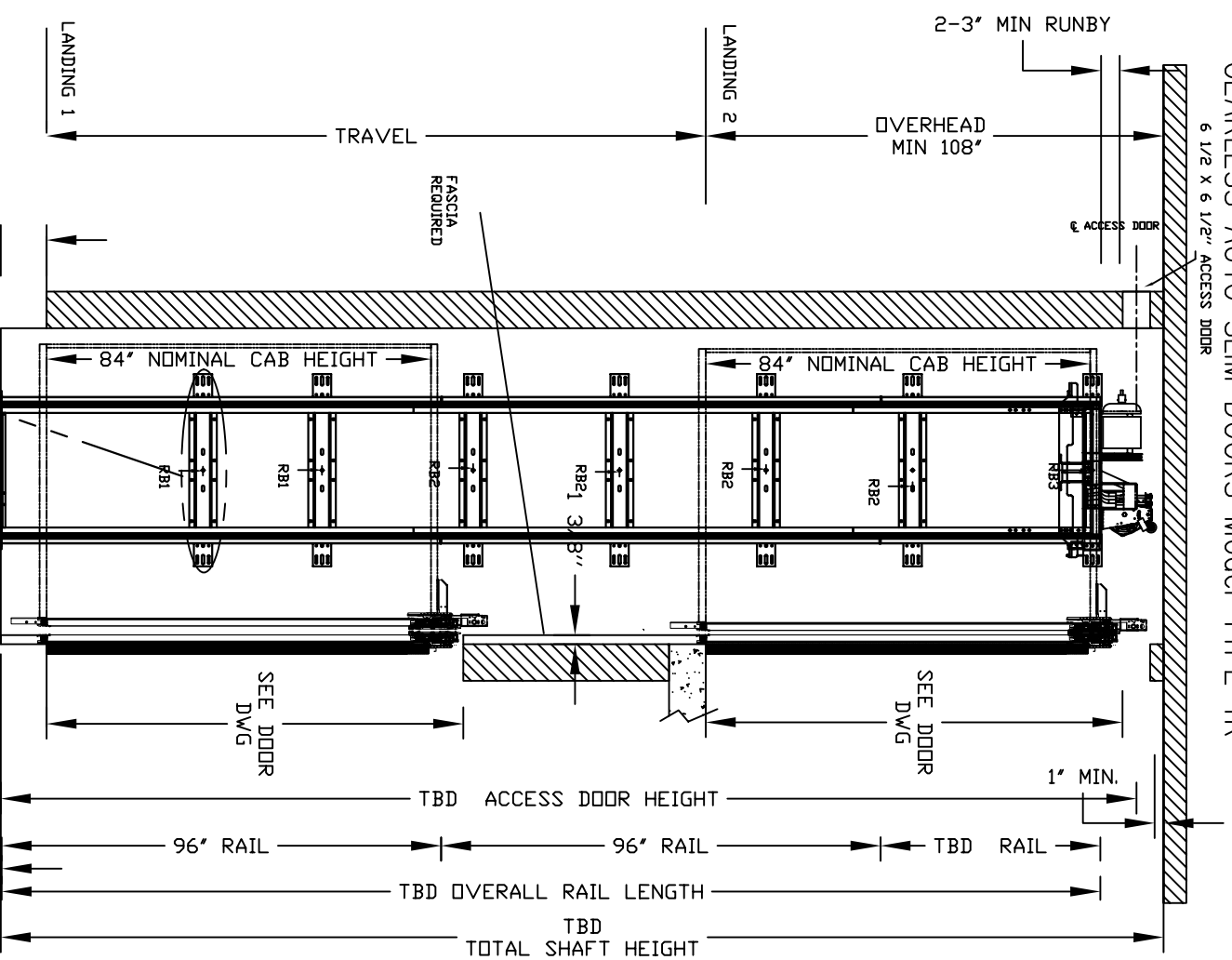


GEARLESS AUTO SLIM DOORS Model TYPE 1R

6 1/2" X 6 1/2" ACCESS DOOR

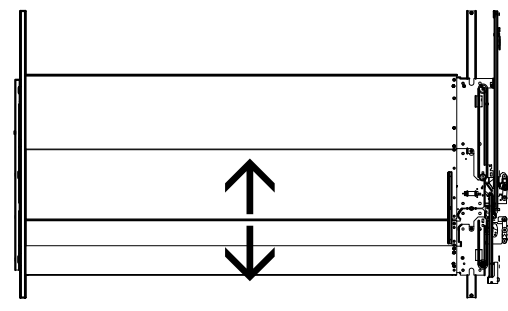


MOUNTING BRACKET
 4 WALL ANCHOR POINTS MIN. PER BRACKET
 2 PER SIDE OF RAIL BRACKET CENTER LINE
 PULL OUT FORCE PER FASTENER 69 KG [152 LBS]

CANNOT HAVE HABITABLE SPACE BELOW PIT

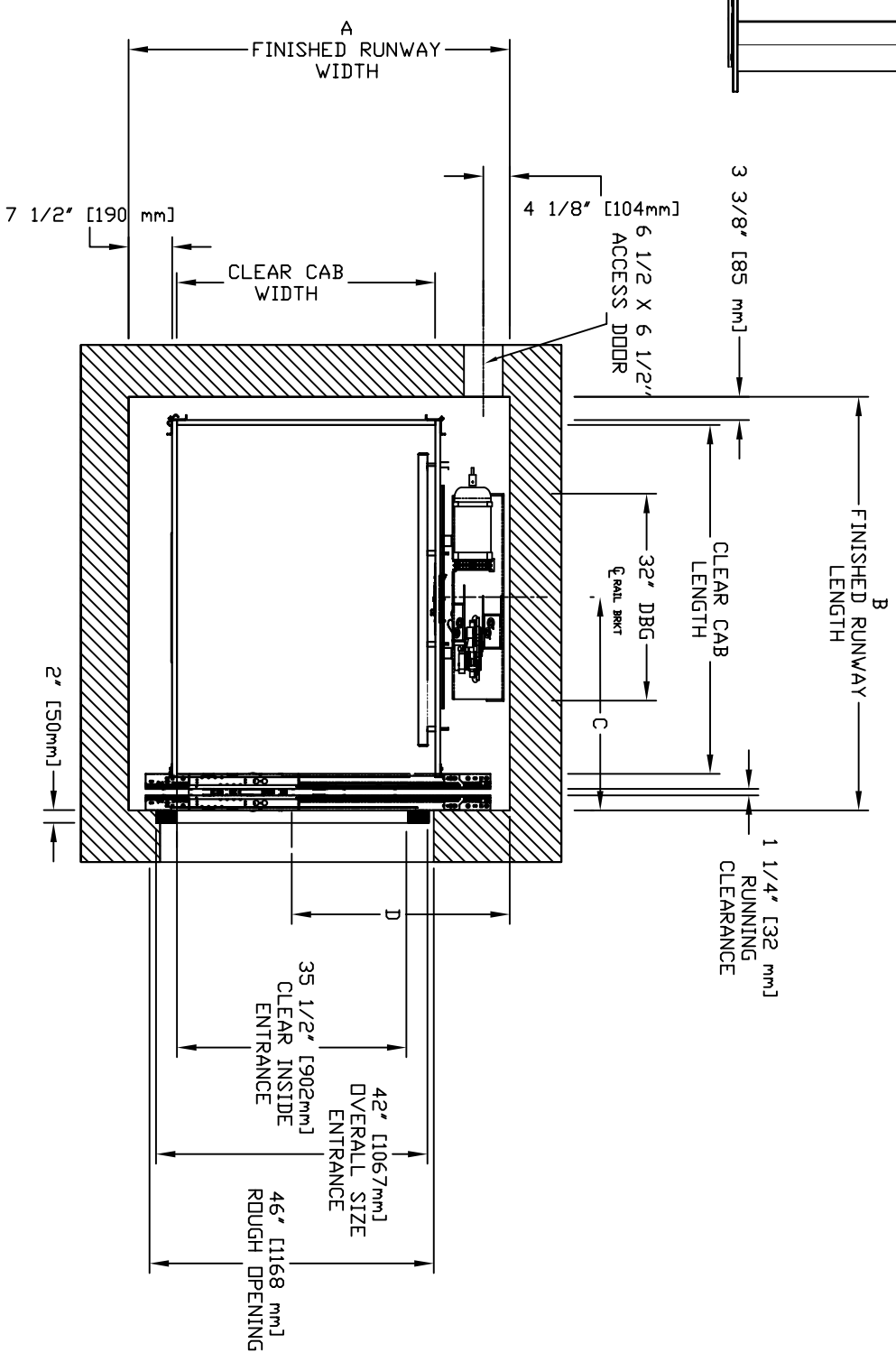
RAIL FORCES	RAIL BRACKET	BELOW THE MOTOR CONCORD REPRESENTATIVE FOR EXACT LOCATION
*R1	*R2	
138.2 KG [304. lbf]	88.2 KG [194. lbf]	
RAIL ASSY WEIGHT: 118.0 lbf / ft	24.5 KG / ft	
PIT FLOOR TO SUPPORT LOAD (EXCLUDES IMPACT) 2909 KG [6400 lbf]		

ENTRANCE



CHARACTERISTICS

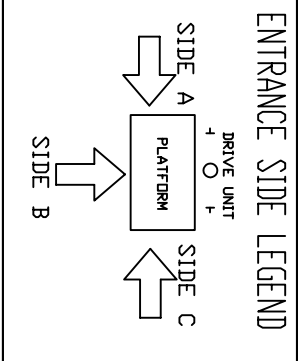
- CAB DOOR TYPE: AUTO SLIM 2 SPEED DOORS
- ENTRANCE DOOR TYPE: AUTO SLIM 2 SPEED DOORS
- 2 SPEED DOORS FINISH: PAINT OR STAINLESS STEEL
- FULLY AUTOMATIC OPERATION TO OPEN THE DOORS UPON ARRIVAL AT THE LANDING
- LIGHTWEIGHT ALUMINUM SILL
- EMERGENCY BACK-UP BATTERY SYSTEM
- INFRARED DETECTION SYSTEM TO RETRACT DOORS BEFORE HITTING AN OBSTRUCTION



CLEAR INSIDE CAB WIDTH	CLEAR INSIDE CAB LENGTH	A FINISHED RUNWAY WIDTH		B FINISHED RUNWAY LENGTH		C RAIL CENTER LINE	D DOOR CENTER LINE				
		mm	Inches	mm	Inches						
914	36	1219	48	1499	59	1473	58	794	31 1/4	838	33
914	36	1372	54	1499	59	1626	64	845	33 1/4	838	33
914	36	1524	60	1499	59	1778	70	921	36 1/4	838	33
1016	40	1372	54	1524	60	1626	64	845	33 1/4	883	34 3/4

DOCUMENT REVISION 000, DATE: 02/21/12

RESIDENTIAL ELEVATOR GEARLESS SLIMS DOORS TYPE 1R



ALL INFORMATION IS SUBJECT TO CHANGE. PLEASE REFERENCE OUR ON-LINE DRAWINGS AT WWW.SAVARIA.COM FOR THE MOST RECENT UPDATES

THE INFORMATION DISCLOSED HEREIN IS THE EXCLUSIVE PROPERTY OF **savaria**

AND MAY NOT BE USED BY OTHERS WITHOUT PRIOR WRITTEN CONSENT

SHEET# 1/1