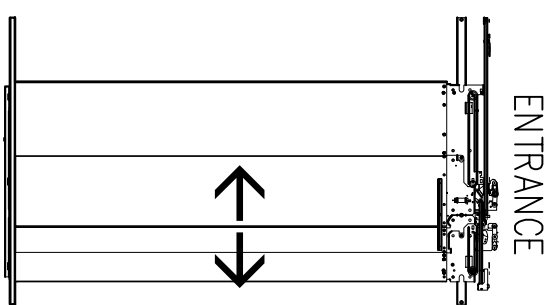
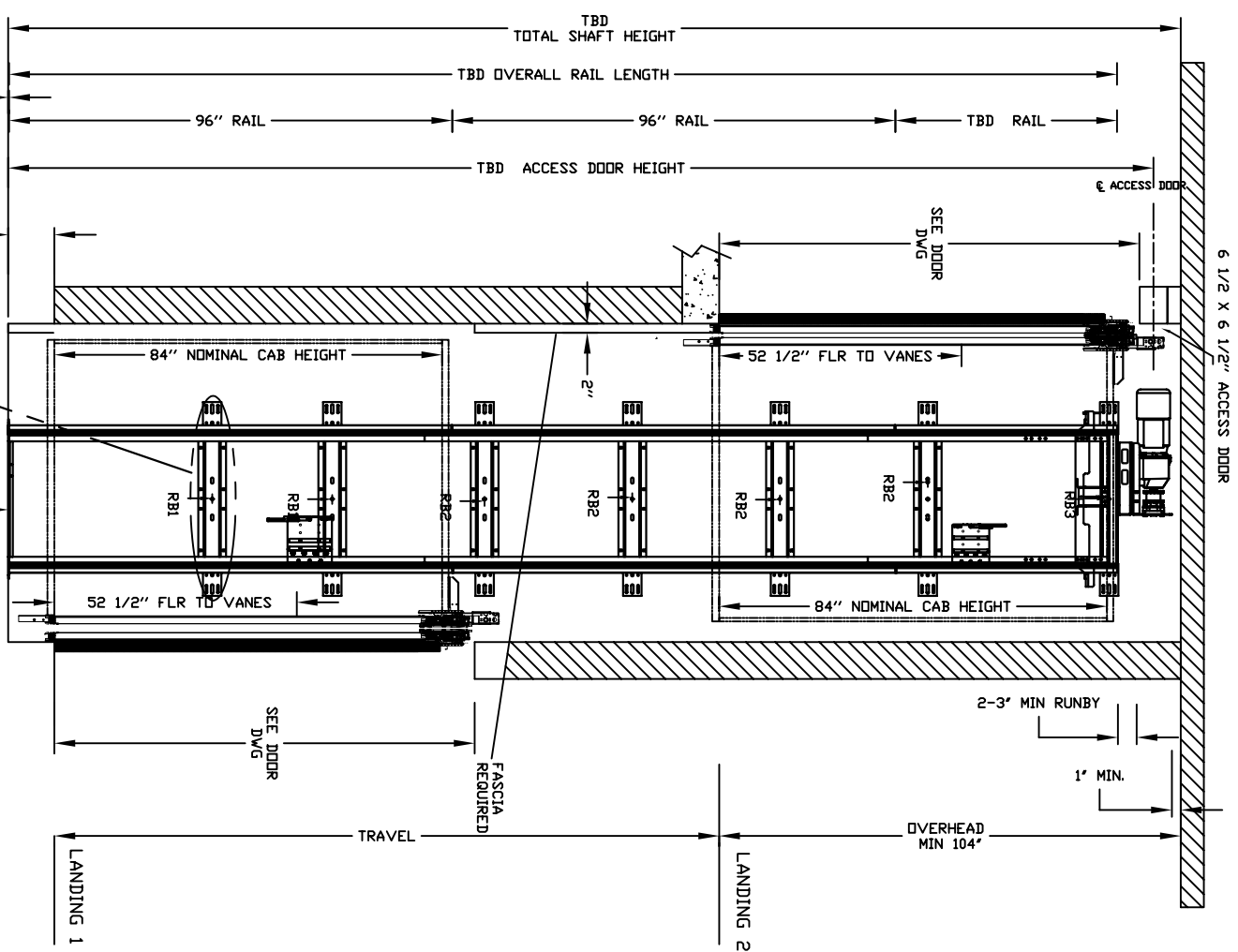


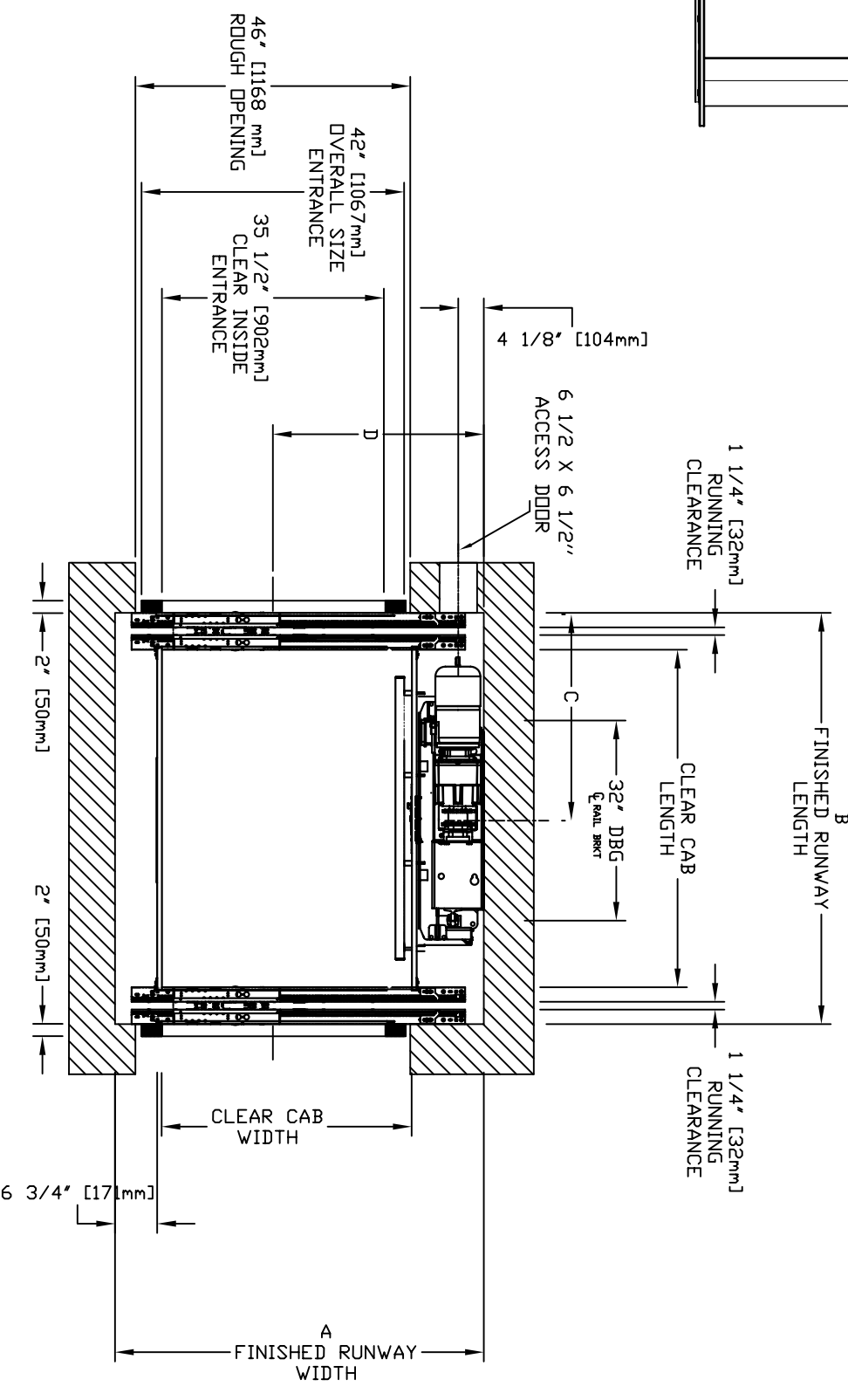
ECLIPSE AUTO SLIM DOORS Model TYPE 2



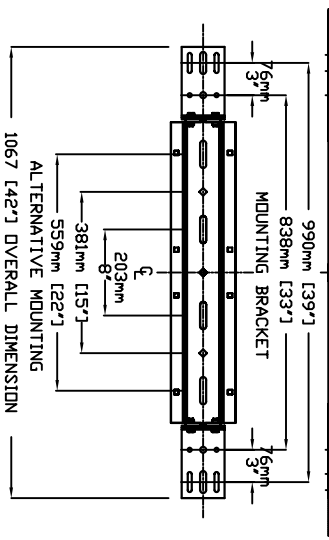
ENTRANCE

CHARACTERISTICS

- CAB DOOR TYPE: AUTO SLIM 2 SPEED DOORS
- ENTRANCE DOOR TYPE: AUTO SLIM 2 SPEED DOORS
- 2 SPEED DOORS FINISH: PAINT OR STAINLESS STEEL
- FULLY AUTOMATIC OPERATION TO OPEN THE DOORS UPON ARRIVAL AT THE LANDING
- LIGHTWEIGHT ALUMINUM SILL
- EMERGENCY BACK-UP BATTERY SYSTEM
- INFRARED DETECTION SYSTEM TO RETRACT DOORS BEFORE HITTING AN OBSTRUCTION

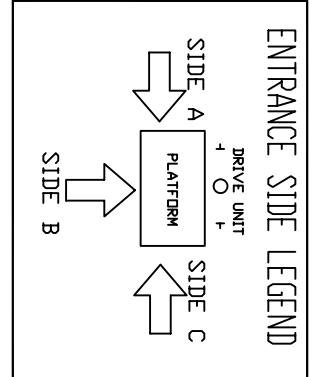


CANNOT HAVE HABITABLE SPACE BELOW PIT



RAIL FORCES	RAIL BRACKET	LOCATION
*R1	*R2	
138.2 kg [304 lbs]	88.2 kg [194 lbs]	
RAIL ASSY WEIGHT: 180 lbs / ft	24.5 kg / m	
PIT FORCE: R3		
PIT FLOOR TO SUPPORT LOAD (INCLUDES IMPACT)		
2909 kg		
[6400 lbs]		

RAIL BRACKET	LOCATION	BELOW THE MOTOR CONCORD REPRESENTATIVE FOR EXACT LOCATION
RB3	FINAL RAIL BRACKET	
RB2	INTERMEDIATE RAIL BRACKET	32" [813mm] INTERVALS AFTER 2nd BOTTOM BRACKET
RB1	BOTTOM RAIL BRACKET	39" [991mm] & 71" [1804mm] ABOVE PIT FLOOR



CLEAR INSIDE CAB WIDTH	CLEAR INSIDE CAB LENGTH	FINISHED RUNWAY WIDTH (A)	FINISHED RUNWAY LENGTH (B)	RAIL CENTER LINE (C)	DOOR CENTER LINE (D)
mm	mm	mm	mm	mm	mm
914	1219	1499	1518	759	838
36	48	59	59 3/4	29 7/8	33
914	1372	1499	1670	835	838
36	54	59	65 3/4	32 7/8	33
914	1524	1499	1822	911	838
36	60	59	71 3/4	35 7/8	33
1016	40	1524	1670	835	883
			65 3/4	32 7/8	34 3/4

DOCUMENT REVISION 001, DATE: 11/18/10

RESIDENTIAL ELEVATOR ECLIPSE SLIMS DOORS TYPE 2

ALL INFORMATION IS SUBJECT TO CHANGE. PLEASE REFERENCE OUR ON-LINE DRAWINGS AT www.savaria.com FOR THE MOST RECENT UPDATES.

