

DOCUMENT REVISION #0, DATE: 04/26/10

RESIDENTIAL WHEELCHAIR LIFT
INFINITY HD MODEL 4860 2SPD

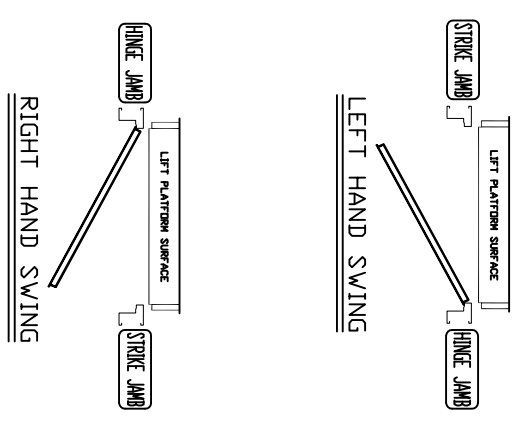
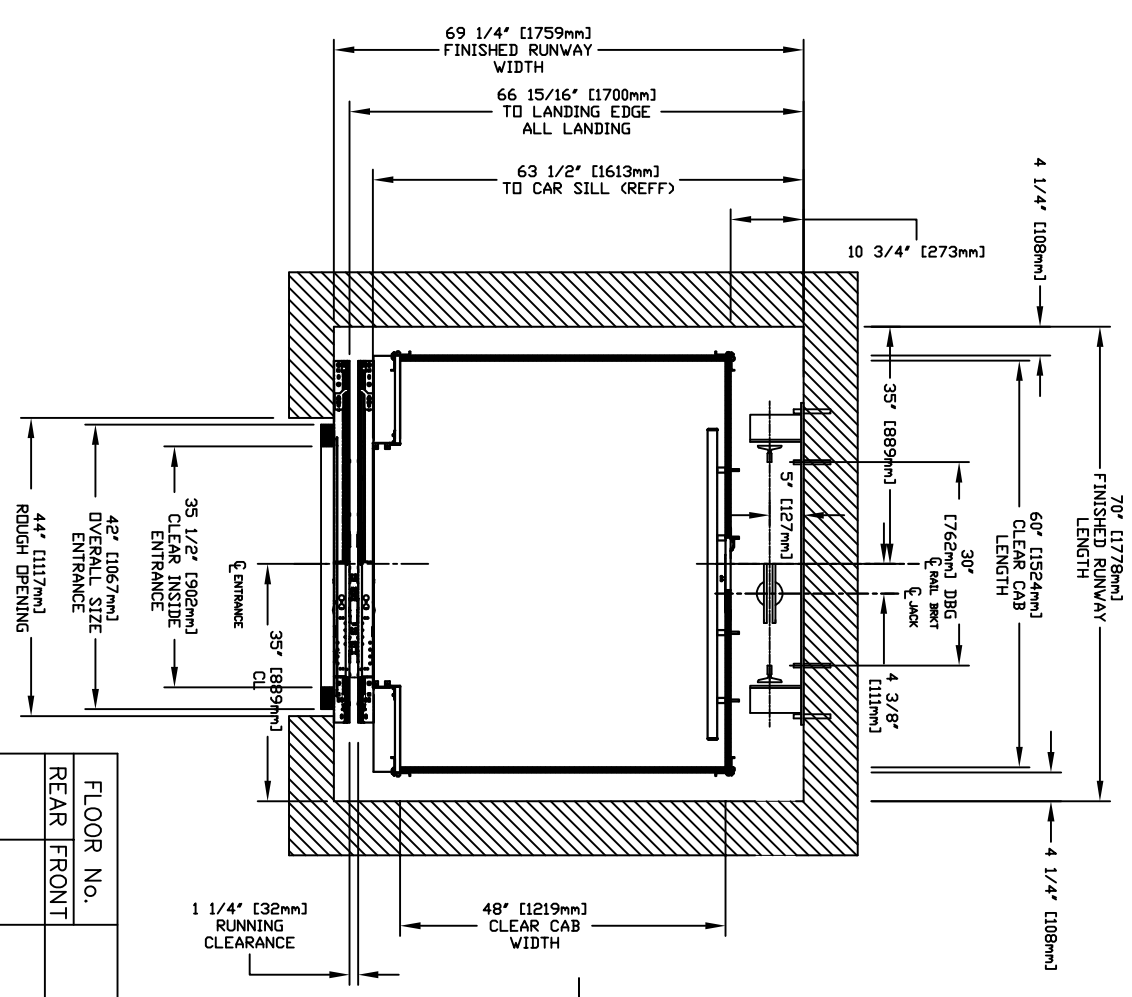
CUSTOMER: _____ DATE: _____
PROJECT: _____ PERSON DATE: _____
LOCATION: _____ COMPLETED BY: _____
JOB No. _____ SHEET No. _____

①	BOTTOM RAIL BRACKET	24" ABOVE PIT FLOOR
②	INTERMEDIATE RAIL BRACKET	48" INTERVALS ABOVE BOTTOM BRACKET
③	TOP RAIL BRACKET	AT TOP OF HOISTWAY CONSULT YOUR CONCORD REPRESENTATIVE FOR EXACT LOCATION

PIT / OVERHEAD REQUIREMENTS			
MAX. SPEED (ft./min)	MIN. PIT	TOTAL TRAVEL	MINIMUM OVERHEAD
30	12" ***	***	104" (2642)

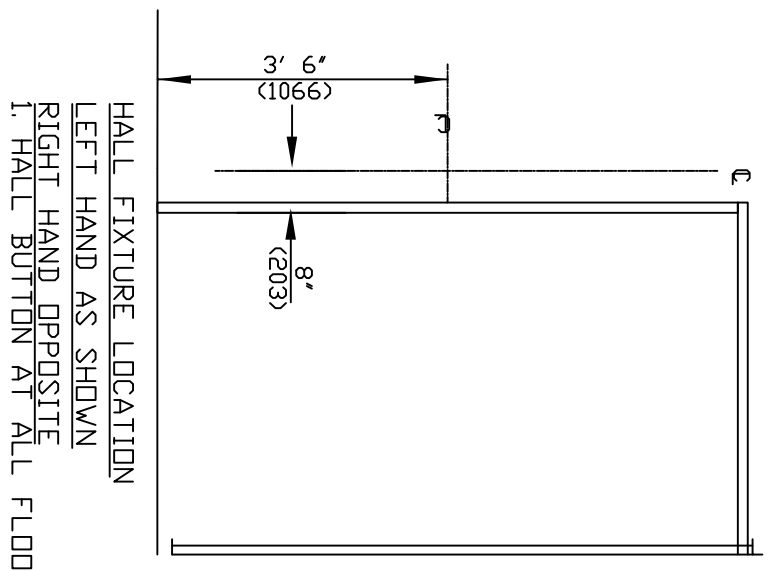
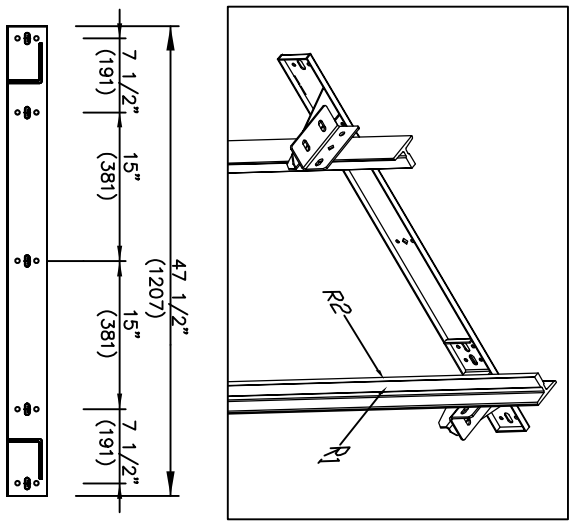
*** NOTE: Additional pit equipment required when over 36" deep, consult your local dealer for details

FLOOR No.	REAR	FRONT	FLOOR HEIGHT
TOTAL RISE			

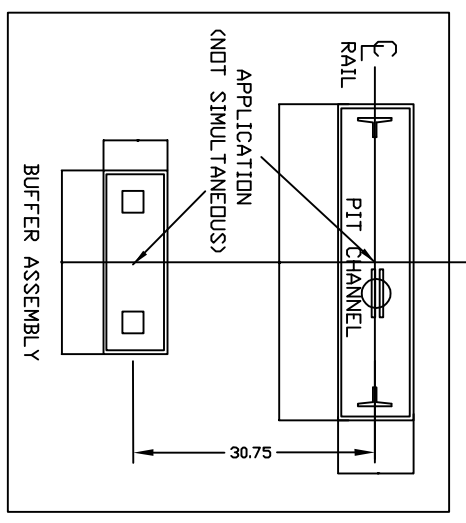


RAIL FORCES		R3 NOTE:	
* R1	4221bf.	PIT FLOOR TO SUPPORT LOAD OF:	8.2Kkips *(INCLUDES IMPACT)
* R2	2511bf.	FOR TOTAL PULL-OUT FORCE ON RAIL BRACKET, R1 MUST BE DOUBLED eg. 8441LB.F.	
RAIL WEIGHT: 8.0 lbs / ft		FOR LOCAL APPLICATION OF PIT LOAD, SEE PIT CHANNEL/BUFFER SKETCH.	

RAIL BRACKET



HALL FIXTURE LOCATION
LEFT HAND AS SHOWN
RIGHT HAND OPPOSITE
I. HALL BUTTON AT ALL FLOORS



RAIL BRACKET

