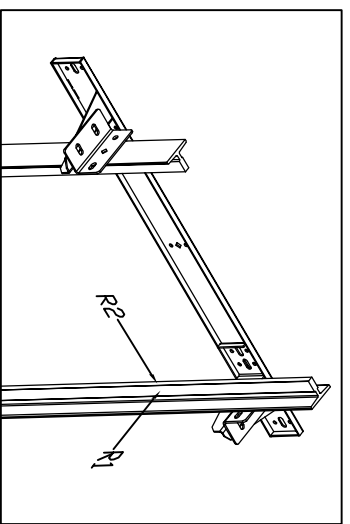
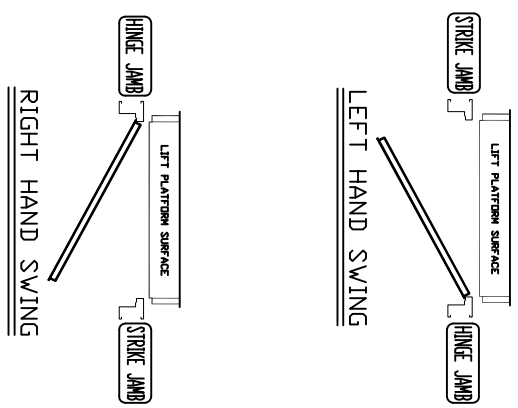


| | | |
|---|---------------------------|---|
| ① | BOTTOM RAIL BRACKET | 24" ABOVE PIT FLOOR |
| ② | INTERMEDIATE RAIL BRACKET | 48" INTERVALS ABOVE BOTTOM BRACKET |
| ③ | TOP RAIL BRACKET | AT TOP OF HOISTWAY CONSULT YOUR CONCORD REPRESENTATIVE FOR EXACT LOCATION |

| PIT / OVERHEAD REQUIREMENTS | | | |
|-----------------------------|----------|--------------|------------------|
| MAX. SPEED (ft./min) | MIN. PIT | TOTAL TRAVEL | MINIMUM OVERHEAD |
| 30 | 12" *** | | 104" (2642) |

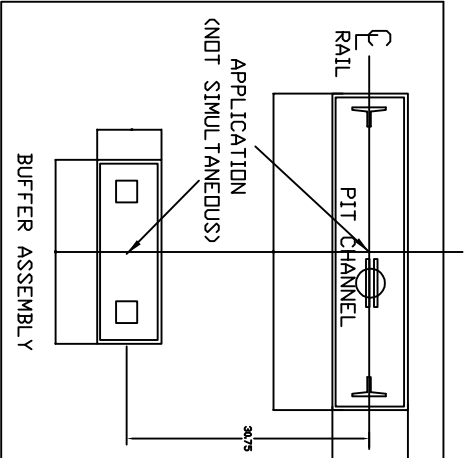
*** NOTE: Additional pit equipment required when over 36" deep, consult your local dealer for details

| FLOOR No. | REAR FRONT | FLOOR HEIGHT | TOTAL RISE |
|-----------|------------|--------------|------------|
| | | | |
| | | | |
| | | | |

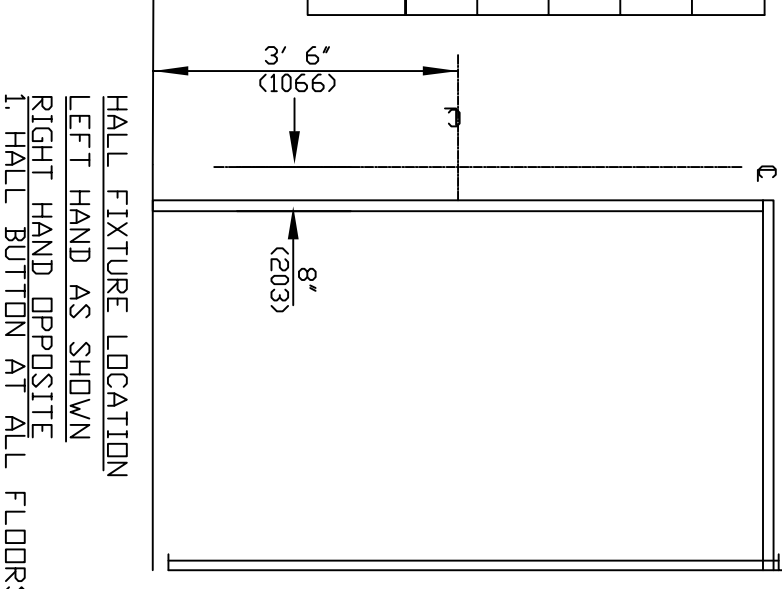


RAIL BRACKET

| RAIL FORCES | | R3 NOTE: | |
|---|-----------|----------|-----------|
| * R1 | 4221lb.f. | * R2 | 2511lb.f. |
| FOR TOTAL PULL-OUT FORCE ON RAIL BRACKET R1 MUST BE DOUBLED eg. 8441LB.F. | | | |
| FOR LOCAL APPLICATION OF PIT LOAD, SEE PIT CHANNEL/BUFFER SKETCH. | | | |



RAIL BRACKET



HALL FIXTURE LOCATION
LEFT HAND AS SHOWN
RIGHT HAND OPPOSITE
L. HALL BUTTON AT ALL FLOORS