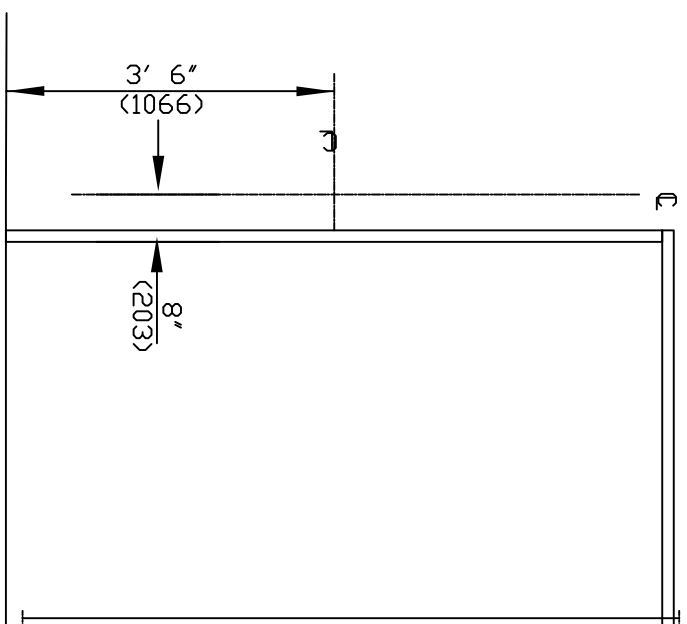
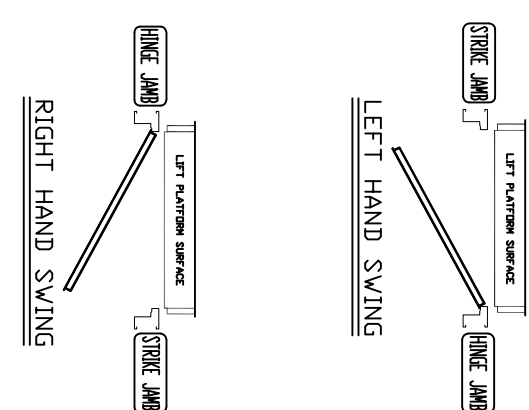


TOP RAIL BRACKET (3)	AT TOP OF HOISTWAY CONSULT YOUR REPRESENTATIVE FOR EXACT LOCATION
INTERMEDIATE RAIL BRACKET (2)	48" INTERVALS ABOVE BOTTOM BRACKET
BOTTOM RAIL BRACKET (1)	24" ABOVE PIT FLOOR

FLOOR No.	REAR FRONT	FLOOR HEIGHT
TOTAL RISE		

PIT / OVERHEAD REQUIREMENTS			
MAX. SPEED (ft/min)	MIN. PIT	TOTAL TRAVEL	MINIMUM OVERHEAD
30	12" ***		104" (2642)

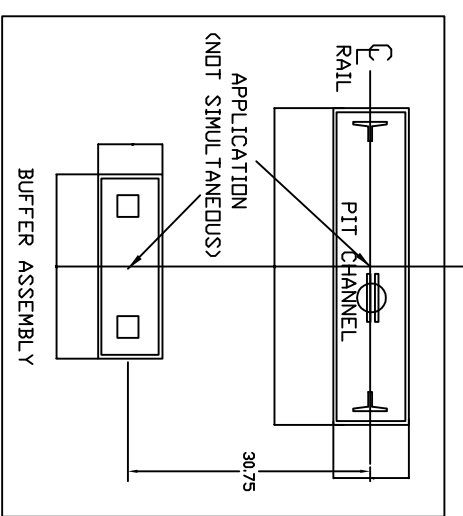
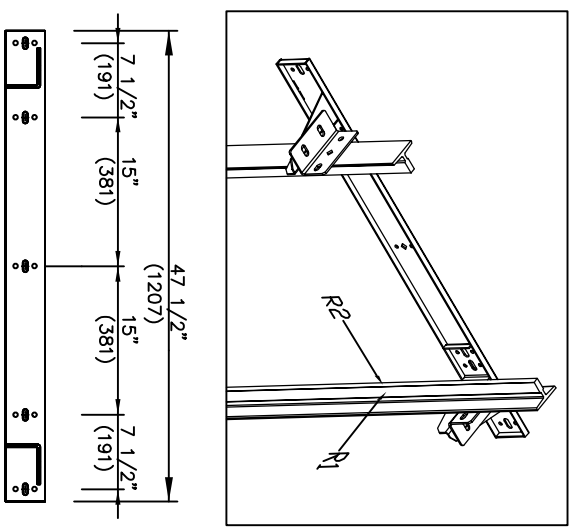
*** NOTE: Additional pit equipment required when over 36" deep, consult your local dealer for details



HALL FIXTURE LOCATION
LEFT HAND AS SHOWN
RIGHT HAND OPPOSITE
I. HALL BUTTON AT ALL FLOORS

RAIL FORCES		R3 NOTE:	
*R1	*R2	PIT FLOOR TO SUPPORT LOAD OF: 822kips * (INCLUDES IMPACT)	
422lbf.	251lbf.	FOR TOTAL PULL-OUT FORCE ON RAIL BRACKET, R1 MUST BE DOUBLED eg. 844LBF.	
RAIL WEIGHT : 80 lbs / ft		SEE PIT CHANNEL/BUFFER SKETCH.	

RAIL BRACKET



RAIL BRACKET

DOCUMENT REVISION #0, DATE: 11/21/11

RESIDENTIAL WHEELCHAIR LIFT
INFINITY HD MODEL 4860 2SPD

CUSTOMER:	DATE:
PROJECT:	REVISION DATE:
LOCATION:	COMPLETED BY:
savaria	
JOB No.	SHEET No.