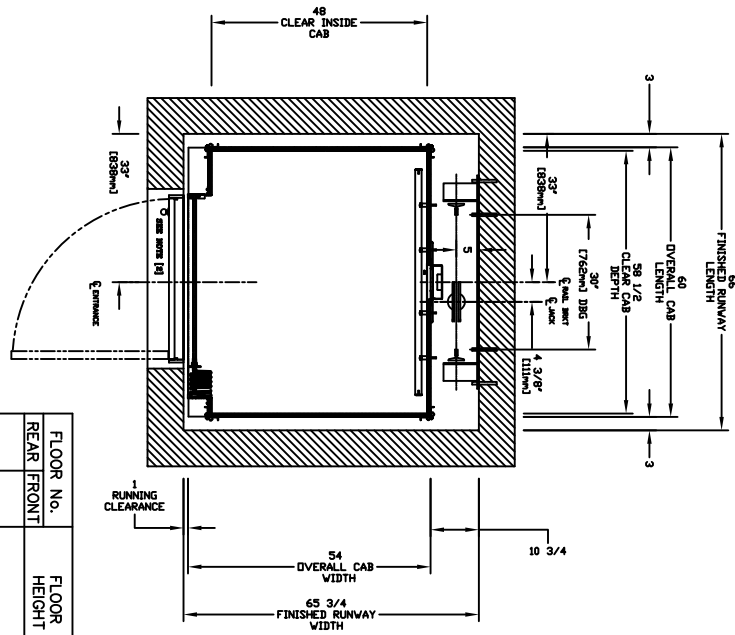
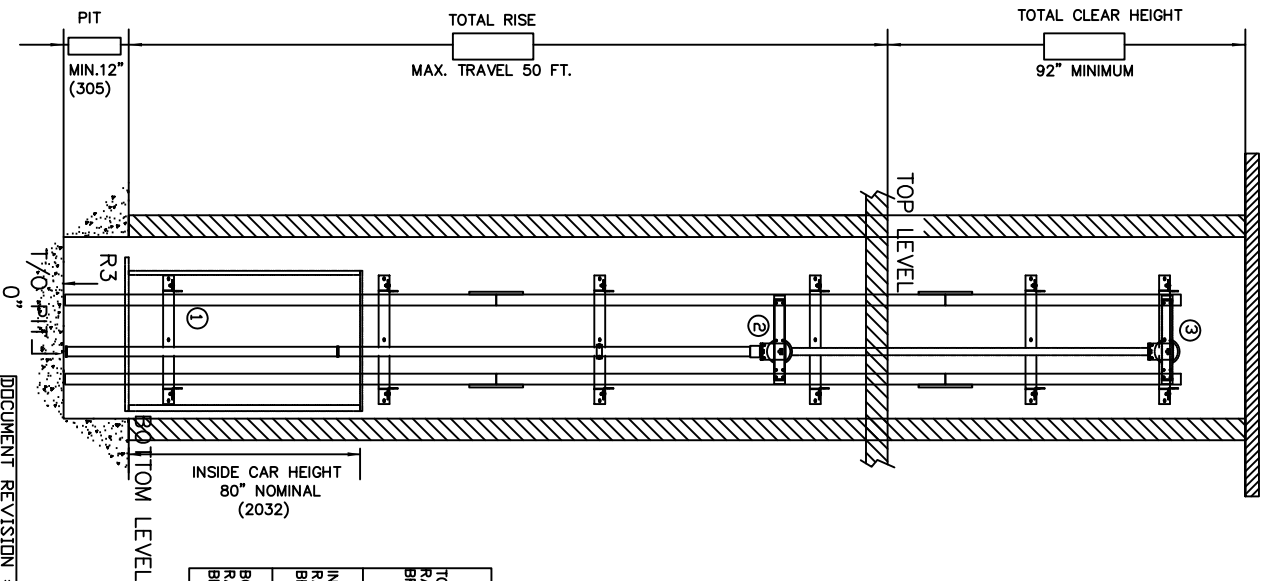


SECTIONAL VIEW - INFINITY HD Model 4860

PLAN VIEW - INFINITY HD Model 4860 TYPE 5-4

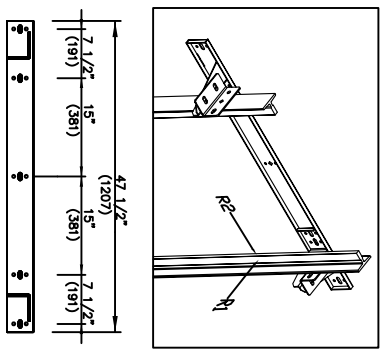
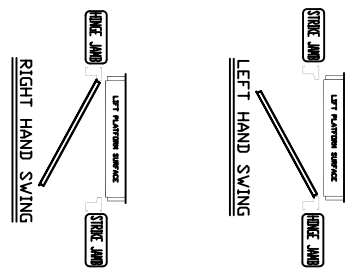


TOP RAIL BRACKET	①	AT TOP OF HOISTWAY CONSULT YOUR REPRESENTATIVE FOR EXACT LOCATION
INTERMEDIATE RAIL BRACKET	②	48" INTERVALS ABOVE BOTTOM BRACKET
BOTTOM RAIL BRACKET	③	24" ABOVE PIT FLOOR

PIT / OVERHEAD REQUIREMENTS		
MAX. SPEED (ft./min)	MIN. PIT	TOTAL MINIMUM OVERHEAD
30	12" ***	92"(2337)

\*\*\* NOTE: Additional pit equipment required when over 36" deep, consult your local dealer for details

FLOOR NO.	FLOOR HEIGHT	REAR FRONT
TOTAL RISE		



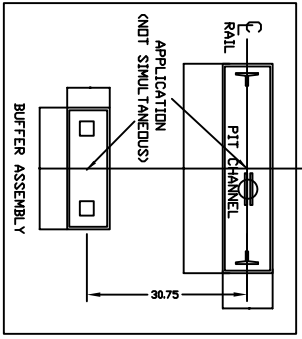
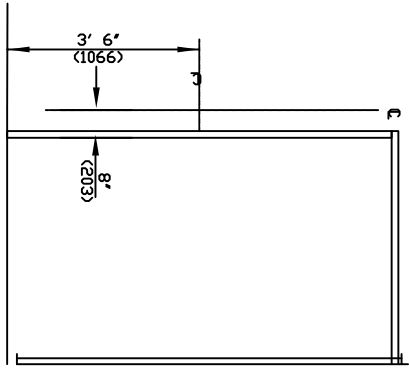
**RAIL FORCES**

R1 R2

425lb/ft. 251lb/ft. RAIL WEIGHT: 80 lbs / ft

**RAIL BRACKET**

**R3 NOTE:**  
PIT FLOOR TO SUPPORT LOAD OF: 822lbs \* (INCLUDES IMPACT)  
FOR TOTAL, PULL-OUT FORCE ON RAIL BRACKET, \* (INCLUDES IMPACT)  
R1 MUST BE DOUBLED TO 844LBF.  
FOR LOCAL APPLICATION OF PIT LOAD, SEE PIT CHANNEL/BUFFER SKETCH.



DOCUMENT REVISION NO. DATE: 04/26/10

RESIDENTIAL WHEELCHAIR LIFT  
INFINITY HD MODEL 4860

CUSTOMER: \_\_\_\_\_ DATE: \_\_\_\_\_

PROJECT: \_\_\_\_\_ REVISION NO. \_\_\_\_\_

LOCATION: \_\_\_\_\_ COMPLETED BY: \_\_\_\_\_

JOB NO. \_\_\_\_\_ SHEET NO. \_\_\_\_\_