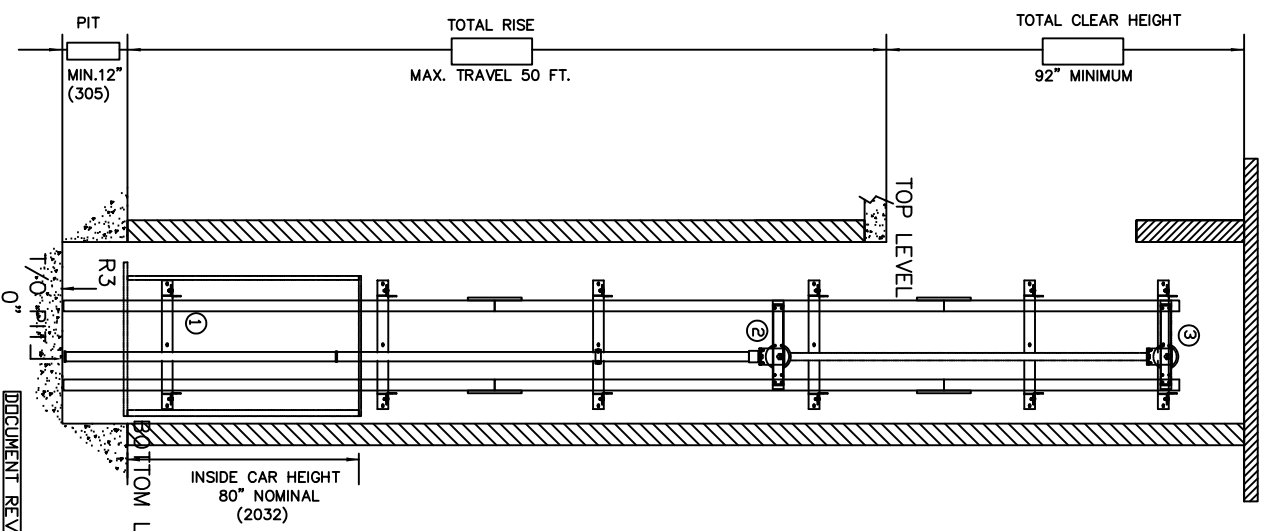
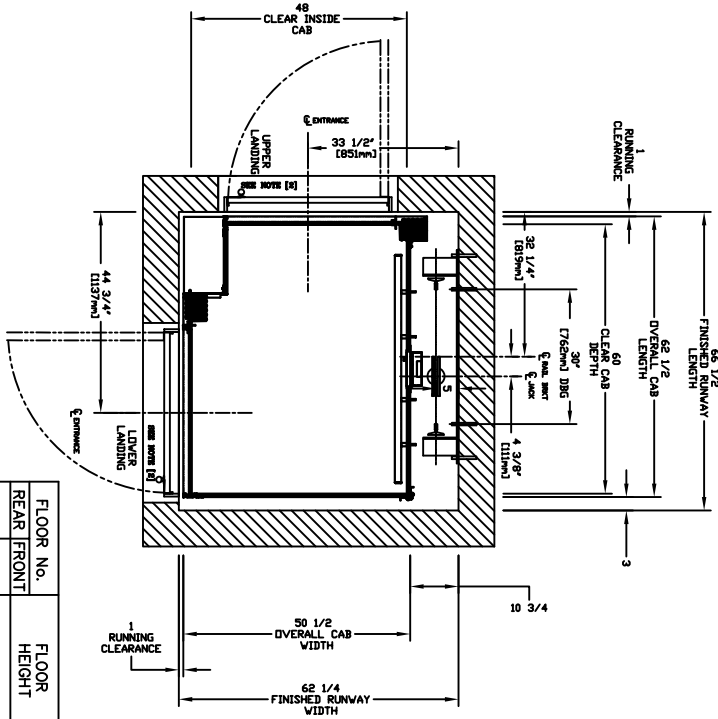


SECTIONAL VIEW - INFINITY HD Model 4860

PLAN VIEW - INFINITY HD Model 4860 TYPE 4



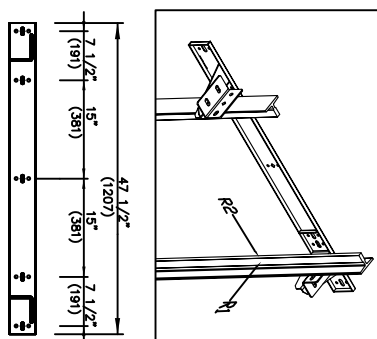
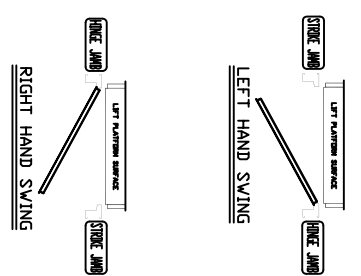
TOP RAIL BRACKET ③	AT TOP OF HOISTWAY CONSULT YOUR REPRESENTATIVE FOR EXACT LOCATION
INTERMEDIATE RAIL BRACKET ②	INTERVALS ABOVE BOTTOM BRACKET 48"
BOTTOM RAIL BRACKET ①	24" ABOVE PIT FLOOR



FLOOR No.	FLOOR HEIGHT
REAR FRONT	
TOTAL RISE	

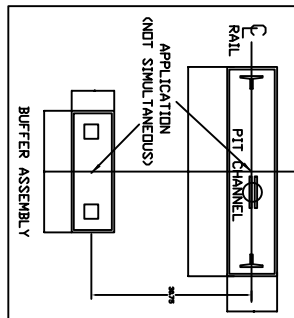
PIT / OVERHEAD REQUIREMENTS			
MAX. SPEED (ft/min)	MIN. PIT	TOTAL TRAVEL	MINIMUM OVERHEAD
30	12" ***		92" (2337)

*** NOTE: Additional pit equipment required when over 36" deep, consult your local dealer for details



RAIL FORCES		R3 NOTE:	
*R1	*R2	PIT FLOOR TO SUPPORT LOAD OF: 822kips * (INCLUDES IMPACT)	
422kips	251kips	FOR TOTAL PULL-OUT FORCE ON RAIL BRACKET, R1 MUST BE DOUBLED TO 844kips.	
RAIL WEIGHT: 80 lbs / ft			

FOR LOCAL APPLICATION OF PIT LOAD, SEE PIT CHANNEL/BUFFER SKETCH.



HALL FIXTURE LOCATION
LEFT HAND AS SHOWN
RIGHT HAND OPPOSITE
1/2 HALL BOTTOM AT ALL FLOORS

RESIDENTIAL WHEELCHAIR LIFT
INFINITY HD MODEL 4860

DOCUMENT REVISION #0. DATE: 04/26/10

CUSTOMER: **sovaria.**

PROJECT: _____ DATE: _____

LOCATION: _____ REVISION: _____

COMPLETED BY: _____ JOB NO. _____

SHEET NO. _____