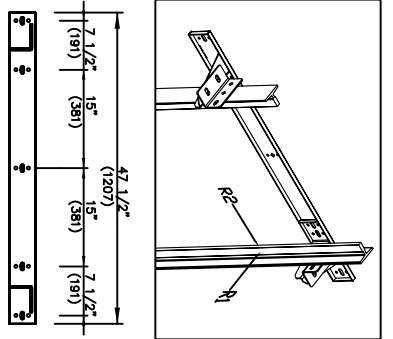
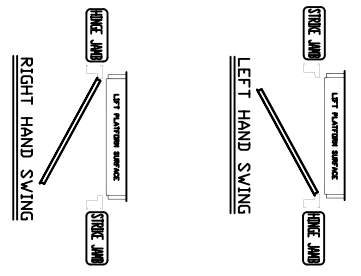


TOP RAIL BRACKET ③	AT TOP OF HOISTWAY CONSULT YOUR REPRESENTATIVE FOR EXACT LOCATION
INTERMEDIATE RAIL BRACKET ②	48" INTERVALS ABOVE BOTTOM BRACKET
BOTTOM RAIL BRACKET ①	24" ABOVE PIT FLOOR

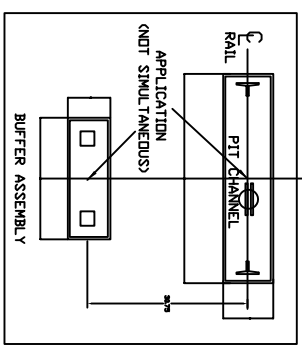
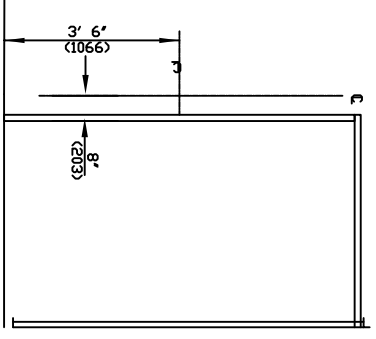
FLOOR NO.	FLOOR HEIGHT
REAR FRONT	
TOTAL RISE	

PIT / OVERHEAD REQUIREMENTS			
MAX SPEED (ft./min)	MIN. PIT	TOTAL MINIMUM TRAVEL OVERHEAD	
30	12" ***	92" (2337)	

*** NOTE: Additional pit equipment required when over 36" deep, consult your local dealer for details



RAIL FORCES		R3 NOTE:	
* R1	* R2	PIT FLOOR TO SUPPORT LOAD OF: 825lbs * (INCLUDES IMPACT)	
RAIL WEIGHT = 80 lbs / ft		FOR TOTAL, PULL-OUT FORCE ON RAIL BRACKET, R1 MUST BE DOUBLED TO 844LBS.	
		FOR LOCAL APPLICATION OF PIT LOAD, SEE PIT CHANNEL/BUFFER SKETCH.	



DOCUMENT REVISION #0 DATE: 04/26/10

RESIDENTIAL WHEELCHAIR LIFT
INFINITY HD MODEL 4860

CUSTOMER:	DATE:	JOB NO.:	SHEET NO.:
PROJECT:	ISSUE NO.:		
LOCATION:	QUANTITY:		

