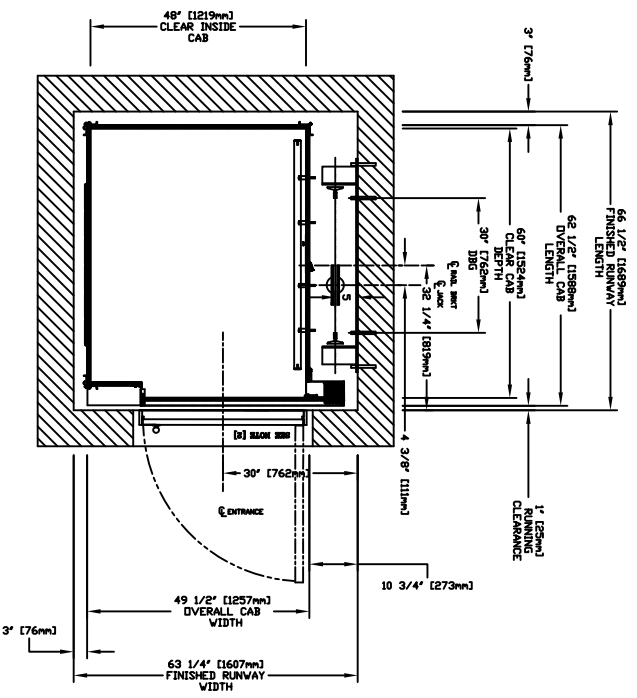
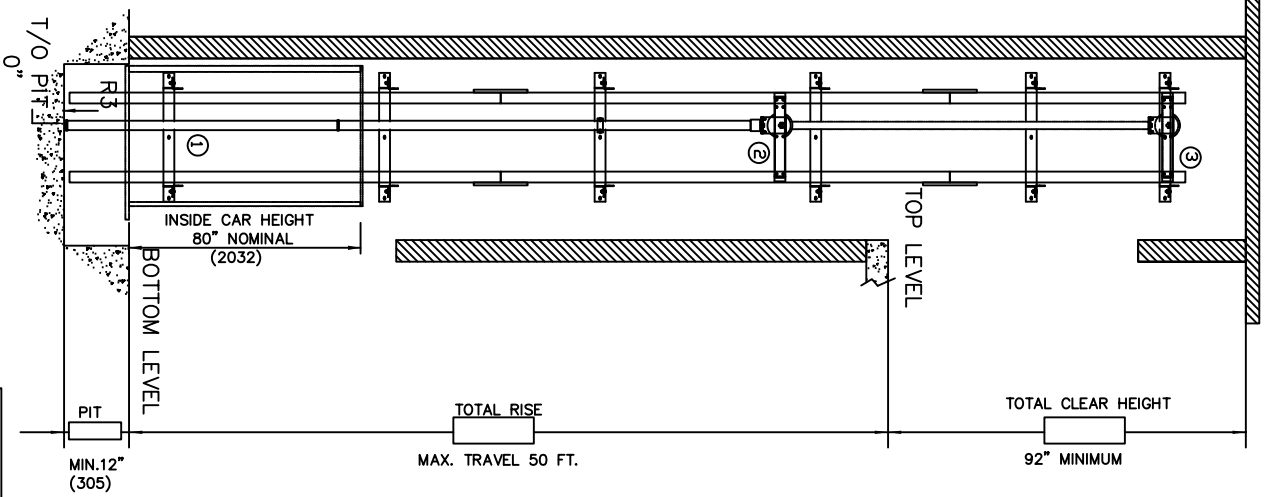


SECTIONAL VIEW - INFINITY HD Model 4860

PLAN VIEW - INFINITY HD Model 4860 TYPE 1R

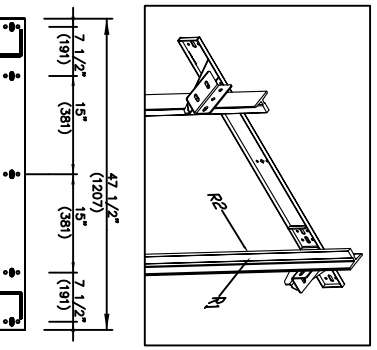
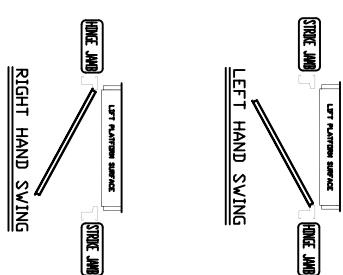


TOP RAIL BRACKET (3)	AT TOP OF HOISTWAY CONSULT YOUR REPRESENTATIVE FOR EXACT LOCATION
INTERMEDIATE RAIL BRACKET (2)	48" INTERVALS ABOVE BOTTOM BRACKET
BOTTOM RAIL BRACKET (1)	24" ABOVE PIT FLOOR

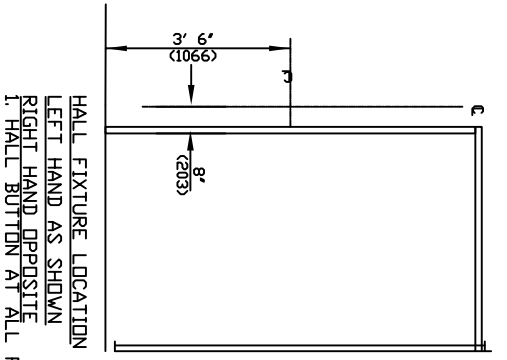
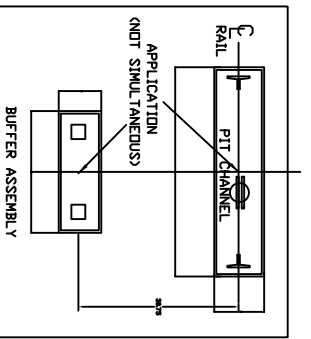
PIT / OVERHEAD REQUIREMENTS			
MAX. SPEED (ft/min)	MIN. PIT	TOTAL TRAVEL OVERHEAD	MINIMUM OVERHEAD (2337)
30	12" ***		92" (2337)

*** NOTE: Additional pit equipment required when over 36" deep, consult your local dealer for details

FLOOR No.	FLOOR HEIGHT
REAR / FRONT	
TOTAL RISE	



RAIL FORCES	R3 NOTE:
* R1	PIT FLOOR TO SUPPORT LOAD OF: 828lbs * (INCLUDES IMPACT)
* R2	R1 MUST BE DOUBLED TO 844LBS.
422Lbf.	FOR LOCAL APPLICATION OF PIT LOAD, SEE PIT CHANNEL/BUFFER SWITCH.
251Lbf.	
RAIL WEIGHT = 80 lbs / ft	



DOCUMENT REVISION #0, DATE: 04/26/10

RESIDENTIAL WHEELCHAIR LIFT
INFINITY HD MODEL 4860

CUSTOMER:	DATE:
PROJECT:	ISSUE NO.:
LOCATION:	COMPLETED BY:
	JOB NO.:
	SHEET NO.:

