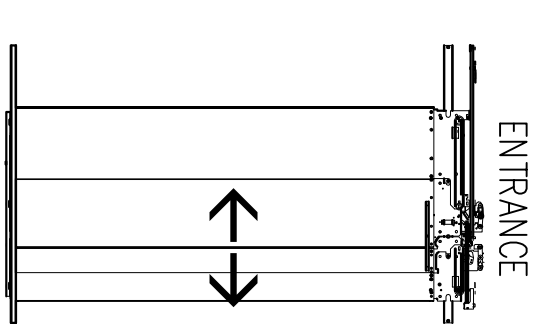
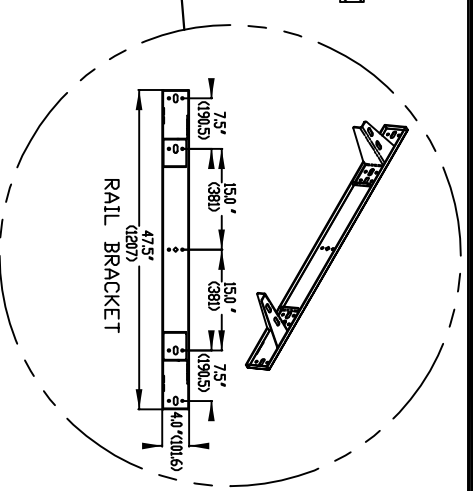
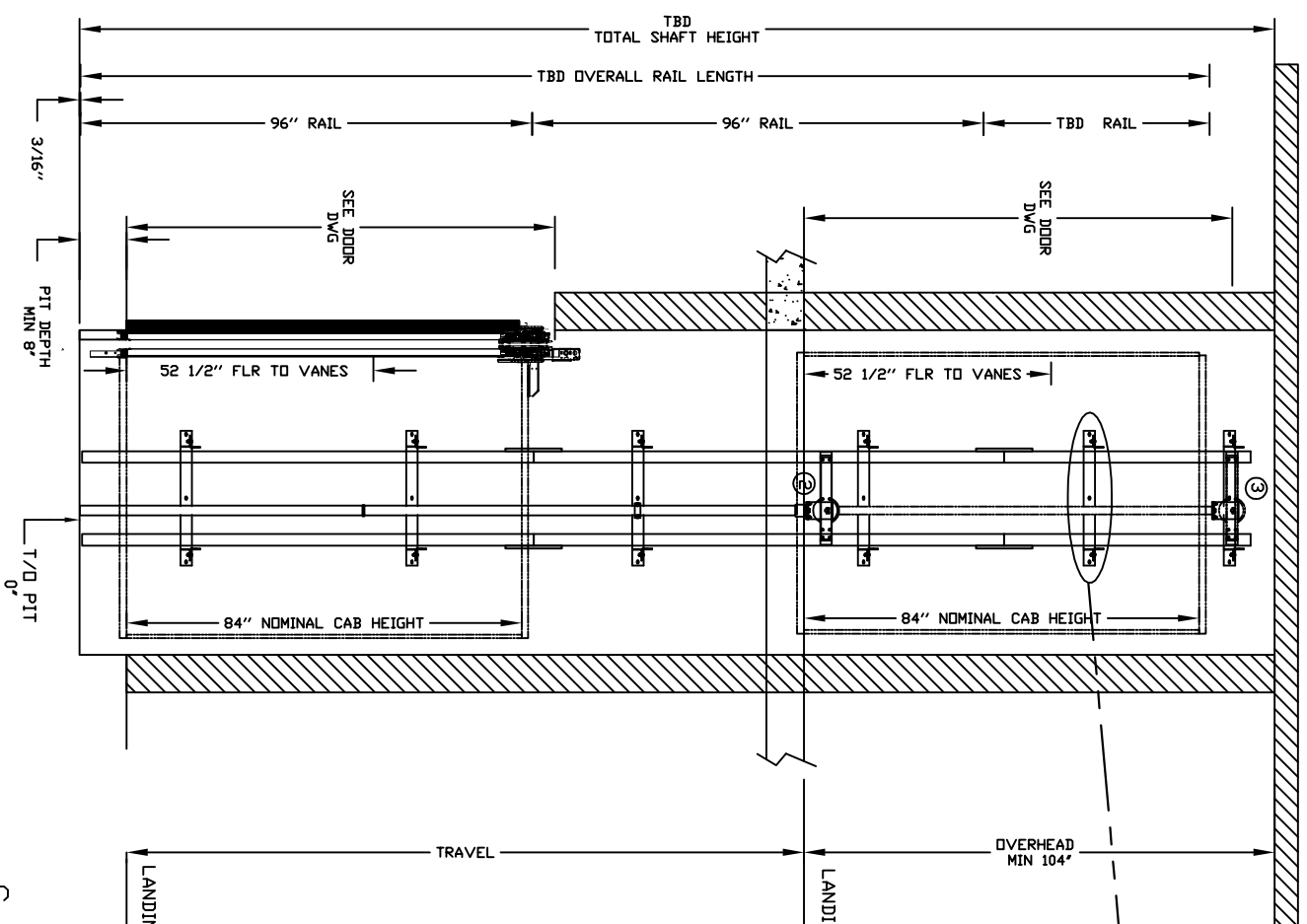
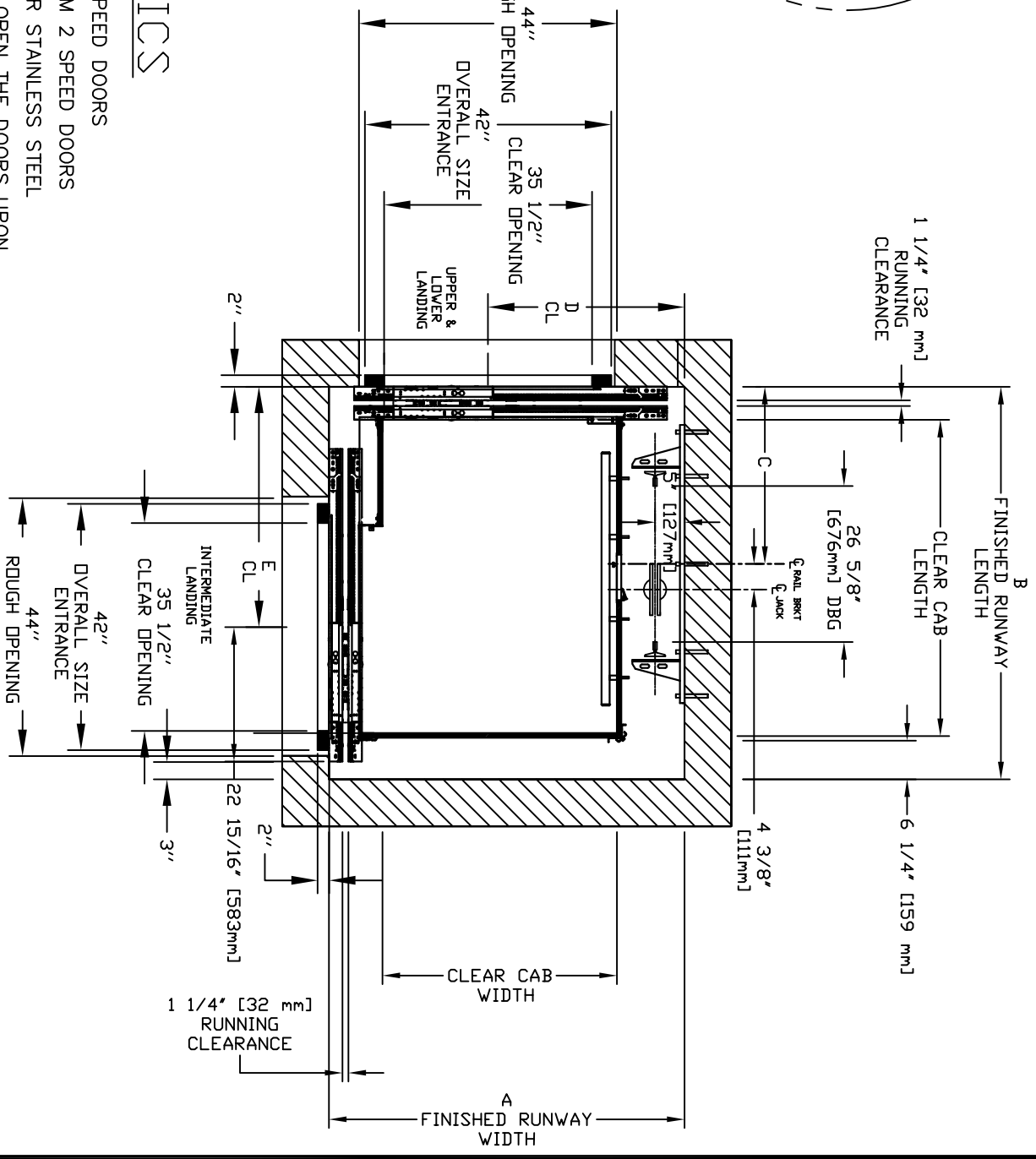


INFINITY AUTO SLIM DOORS Model TYPE 4



CHARACTERISTICS

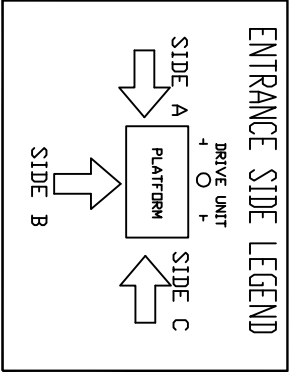
- CAB DOOR TYPE: AUTO SLIM 2 SPEED DOORS
- ENTRANCE DOOR TYPE: AUTO SLIM 2 SPEED DOORS
- 2 SPEED DOORS FINISH: PAINT OR STAINLESS STEEL
- FULLY AUTOMATIC OPERATION TO OPEN THE DOORS UPON ARRIVAL AT THE LANDING LIGHTWEIGHT ALUMINIUM SILL
- EMERGENCY BACK-UP BATTERY SYSTEM
- INFRARED DETECTION SYSTEM TO RETRACT DOORS BEFORE HITTING AN OBSTRUCTION



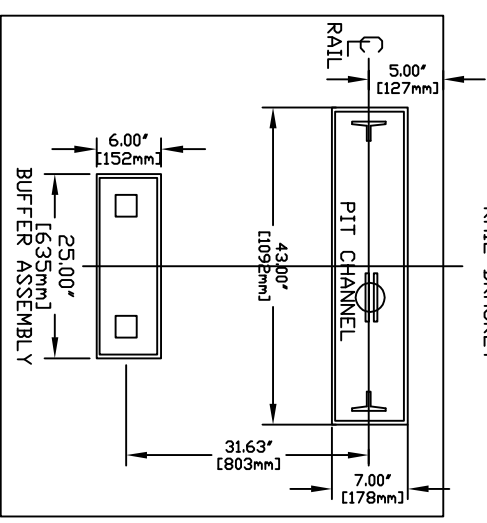
CLEAR INSIDE CAB WIDTH	CLEAR INSIDE CAB LENGTH	A FINISHED RUNWAY WIDTH		B FINISHED RUNWAY LENGTH		C RAIL CENTER LINE		D DOOR CENTER LINE		E DOOR CENTER LINE	
		mm	Inches	mm	Inches	mm	Inches	mm	Inches	mm	Inches
914	35	1372	54	1540	60 5/8	1702	67	826	32 1/2	838	33
914	38	1524	60	1540	60 5/8	1854	73	902	35 1/2	838	33
1016	40	1372	54	1581	62 1/4	1702	67	826	32 1/2	883	34 3/4
HD 1219	43	1524	60	1759	69 1/4	1778	70	889	35	857	33 3/4

DOCUMENT REVISION 001, DATE: 11/18/10

RESIDENTIAL ELEVATOR INFINITY SLIMS DOORS TYPE 4



RAIL FORCES		R3 NOTE:	
*R1	304lbf.	PIT FLOOR TO SUPPORT LOAD OF: 5skips * (INCLUDES IMPACT)	
*R2	194lbf.	FOR TOTAL PULL-OUT FORCE ON RAIL BRACKET, RT MUST BE DOUBLED eg.	
RAIL WEIGHT: 80 lbs / ft			



ALL INFORMATION IS SUBJECT TO CHANGE. PLEASE REFERENCE OUR ON-LINE DRAWINGS AT WWW.SAVARIA.COM FOR THE MOST RECENT UPDATES.