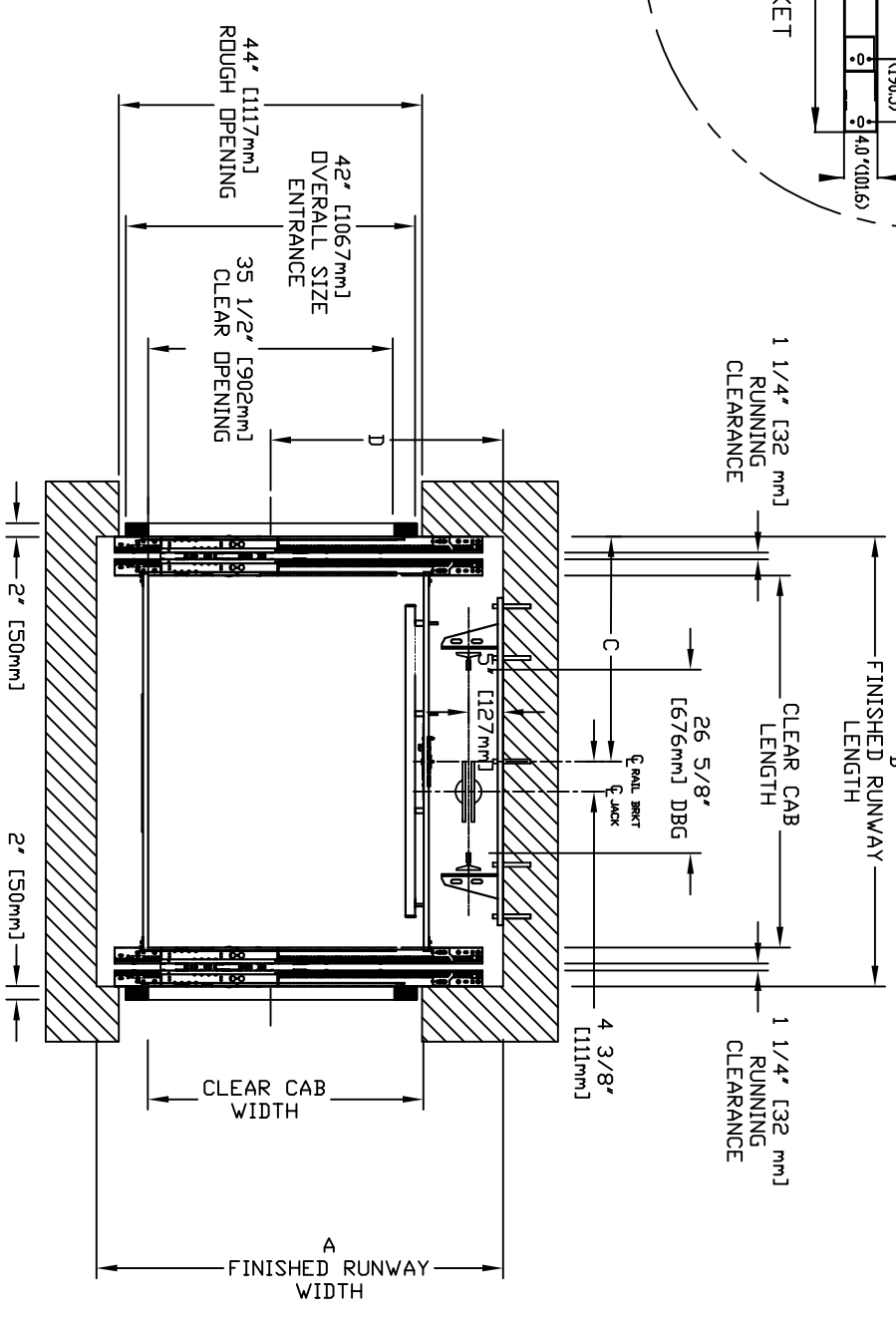
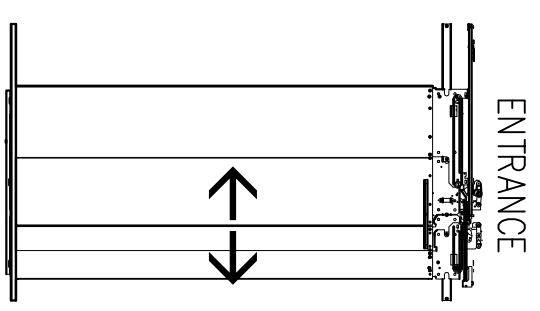
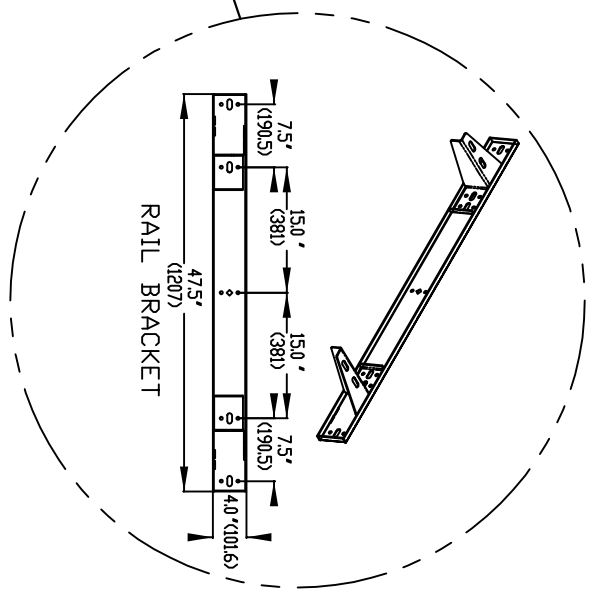
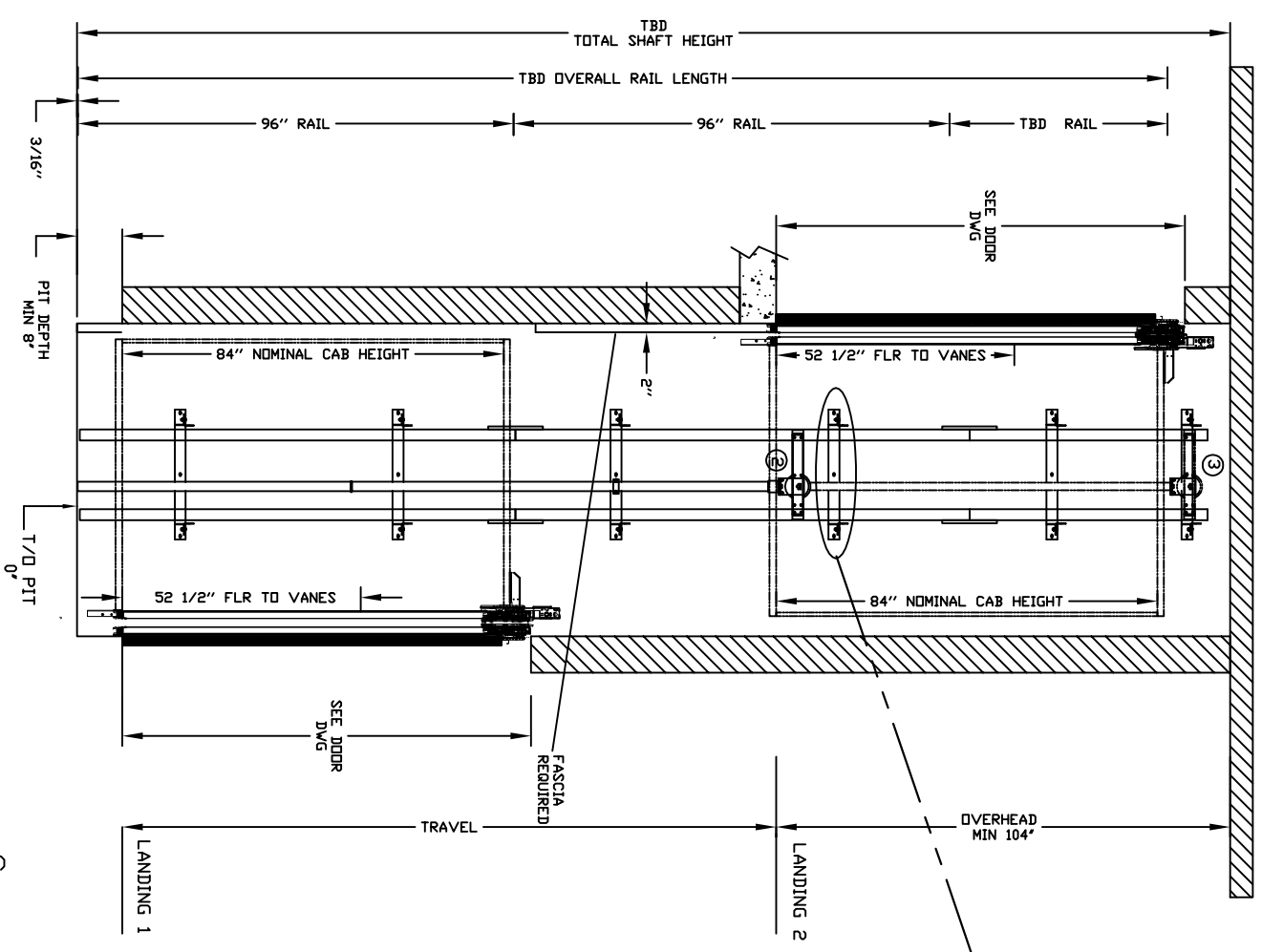


CHARACTERISTICS

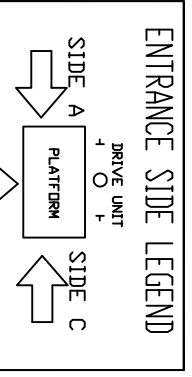
- CAB DOOR TYPE: AUTO SLIM 2 SPEED DOORS
- ENTRANCE DOOR TYPE: AUTO SLIM 2 SPEED DOORS
- 2 SPEED DOORS FINISH: PAINT OR STAINLESS STEEL
- FULLY AUTOMATIC OPERATION TO OPEN THE DOORS UPON ARRIVAL AT THE LANDING
- LIGHTWEIGHT ALUMINUM SILL
- EMERGENCY BACK-UP BATTERY SYSTEM
- INFRARED DETECTION SYSTEM TO RETRACT DOORS BEFORE HITTING AN OBSTRUCTION



HD	CLEAR INSIDE CAB WIDTH		CLEAR INSIDE CAB LENGTH		FINISHED RUNWAY WIDTH		FINISHED RUNWAY LENGTH		RAIL CENTER LINE		DOOR CENTER LINE	
	mm	Inches	mm	Inches	mm	Inches	mm	Inches	mm	Inches	mm	Inches
914	36	1219	48	1499	59	1518	59 3/4	759	29 7/8	838	33.00	
914	36	1372	54	1499	59	1670	65 3/4	835	32 7/8	838	33.00	
914	36	1524	60	1499	59	1822	71 3/4	911	35 7/8	838	33.00	
1016	40	1372	54	1524	60	1670	65 3/4	835	32 7/8	883	34 3/4	
1219	48	1524	60	1626	64	1803	71	902	35 1/2	857	33 3/4	

DOCUMENT REVISION 001, DATE: 11/18/10

RESIDENTIAL ELEVATOR  
INFINITY SLIMS DOORS TYPE 2



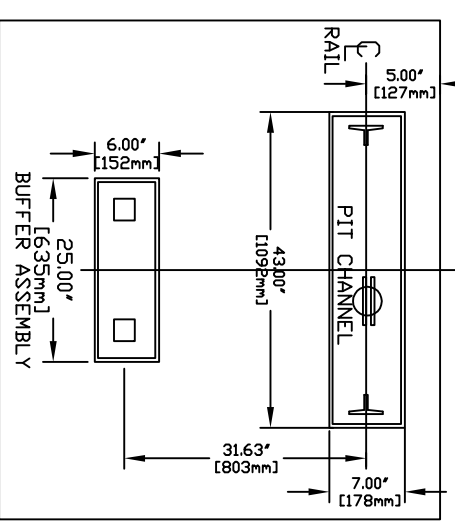
**RAIL FORCES**

*R1	*R2
304lbf.	194lbf.

RAIL WEIGHT : 8.0 lbs / ft

**RAIL BRACKET**

**R3 NOTE:**  
PIT FLOOR TO SUPPORT LOAD DF: 5kips \* (INCLUDES IMPACT)  
FOR TOTAL PULL-OUT FORCE ON RAIL BRACKET, R1 MUST BE DOUBLED eg.



ALL INFORMATION IS SUBJECT TO CHANGE. PLEASE REFERENCE OUR ON-LINE DRAWINGS AT [www.savaria.com](http://www.savaria.com) FOR THE MOST RECENT UPDATES.

THE INFORMATION DISCLOSED HEREIN IS THE EXCLUSIVE PROPERTY OF **savaria**

SHEET# 1/1