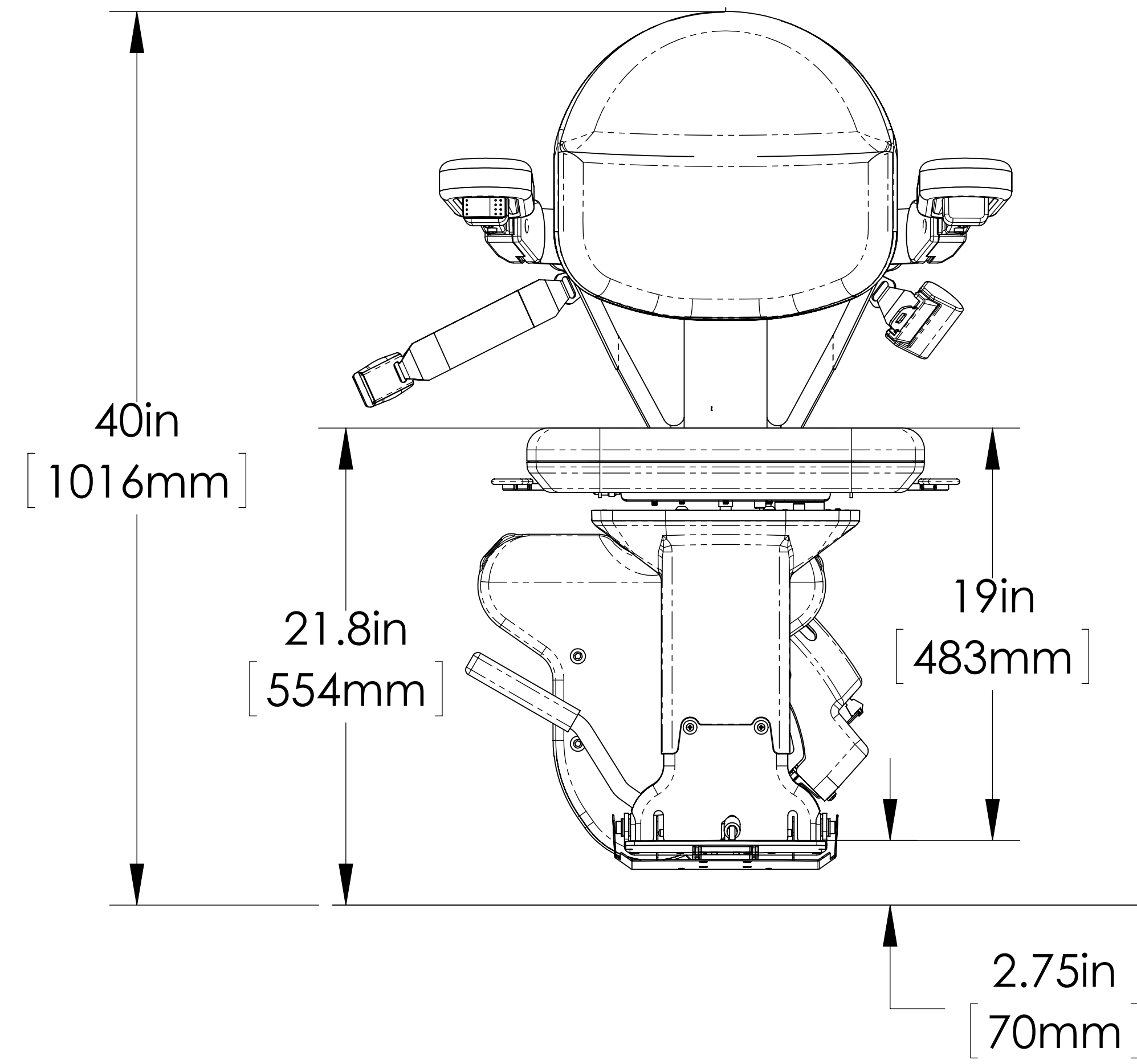


ELITE POWER OPTIONS TYPICAL DRAWING

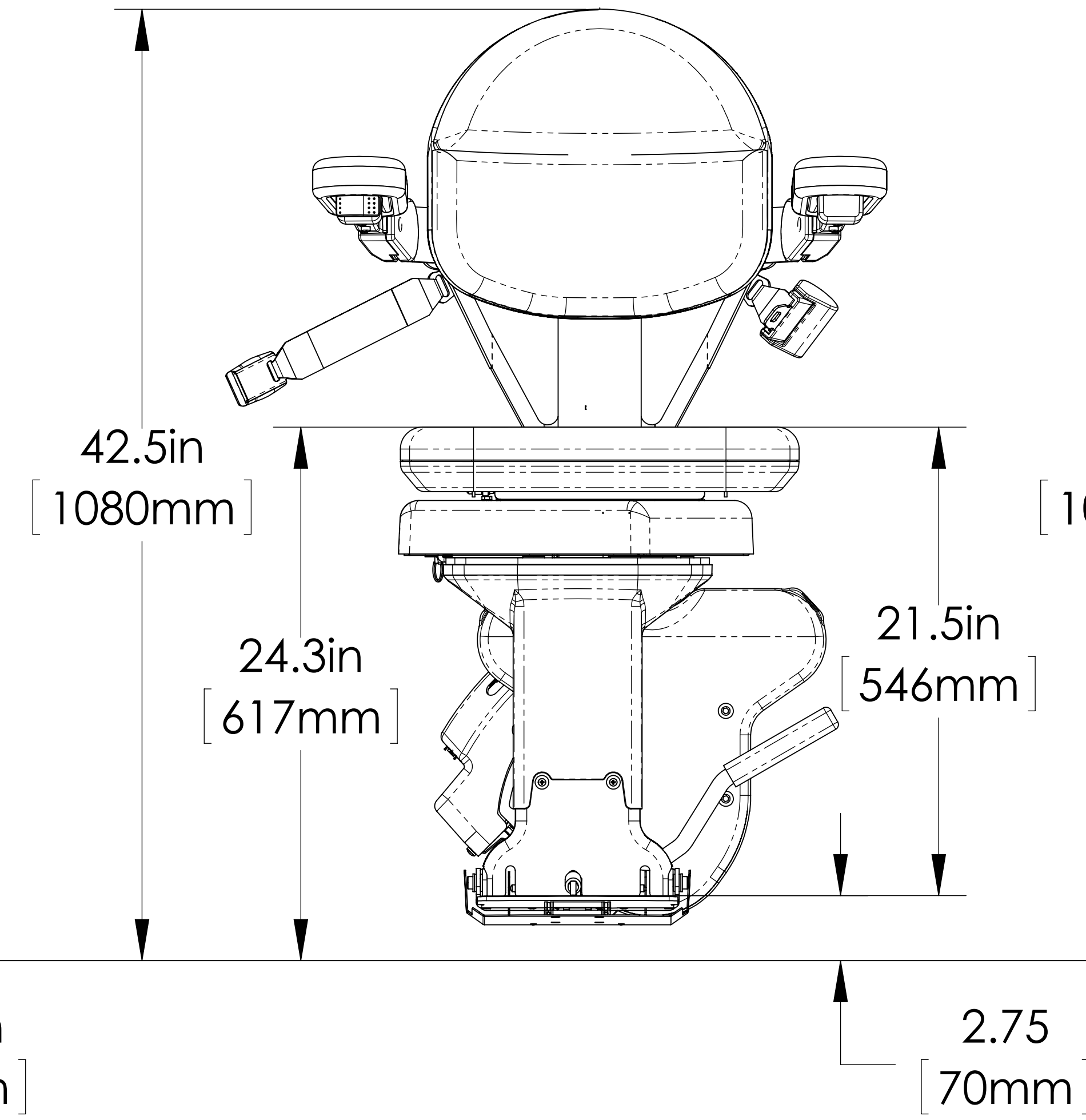
SUPPLEMENTAL SEAT AND FOOTREST DIMENSION FOR POWER OPTIONS

CARRIAGE AND SEAT ELEVATION VIEW
SEAT AND FOOTREST SHOWN IN LOWEST POSITIONS
FOR RIGHT HAND INSTALLATIONS

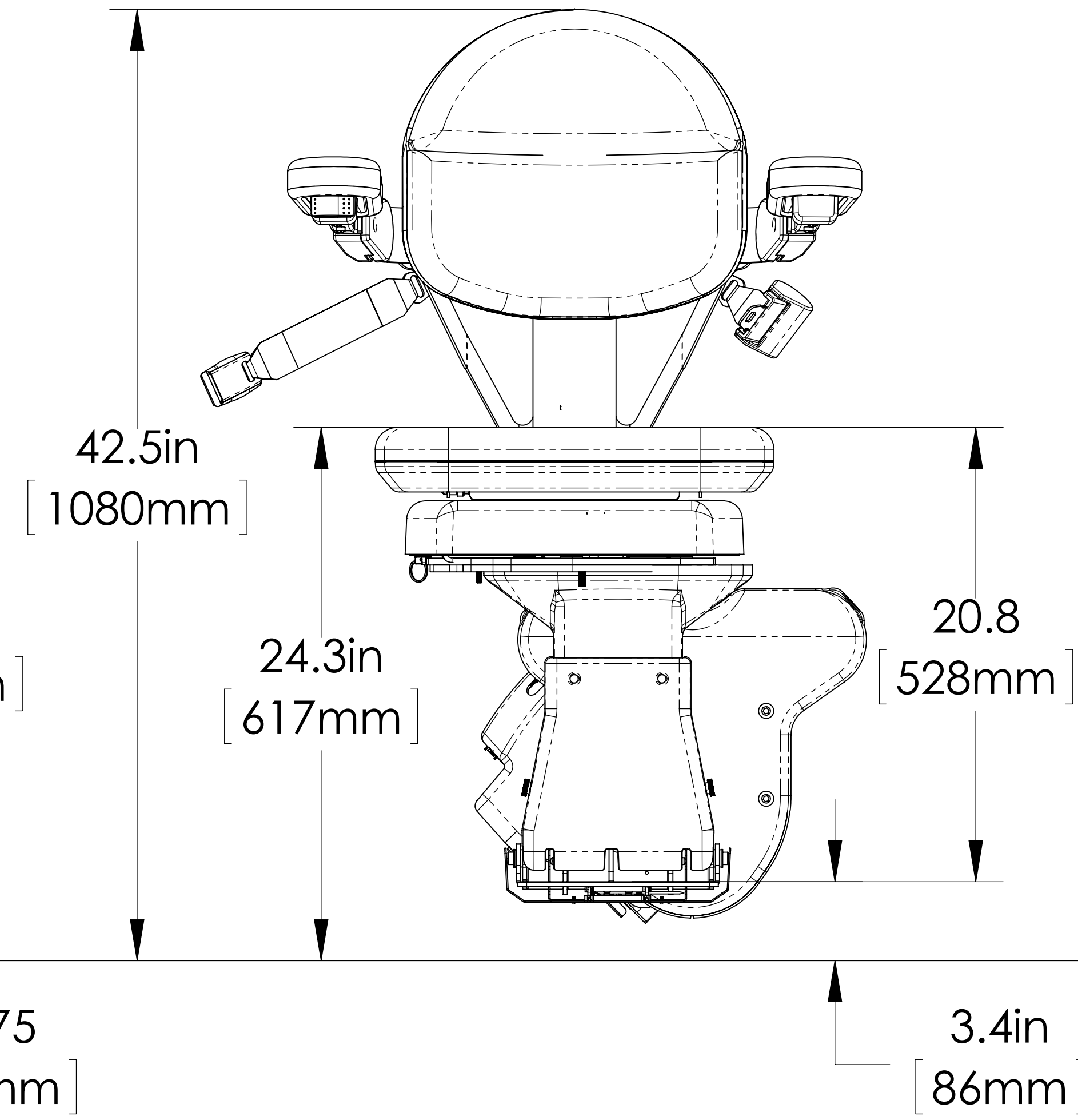
STANDARD SRE-2010



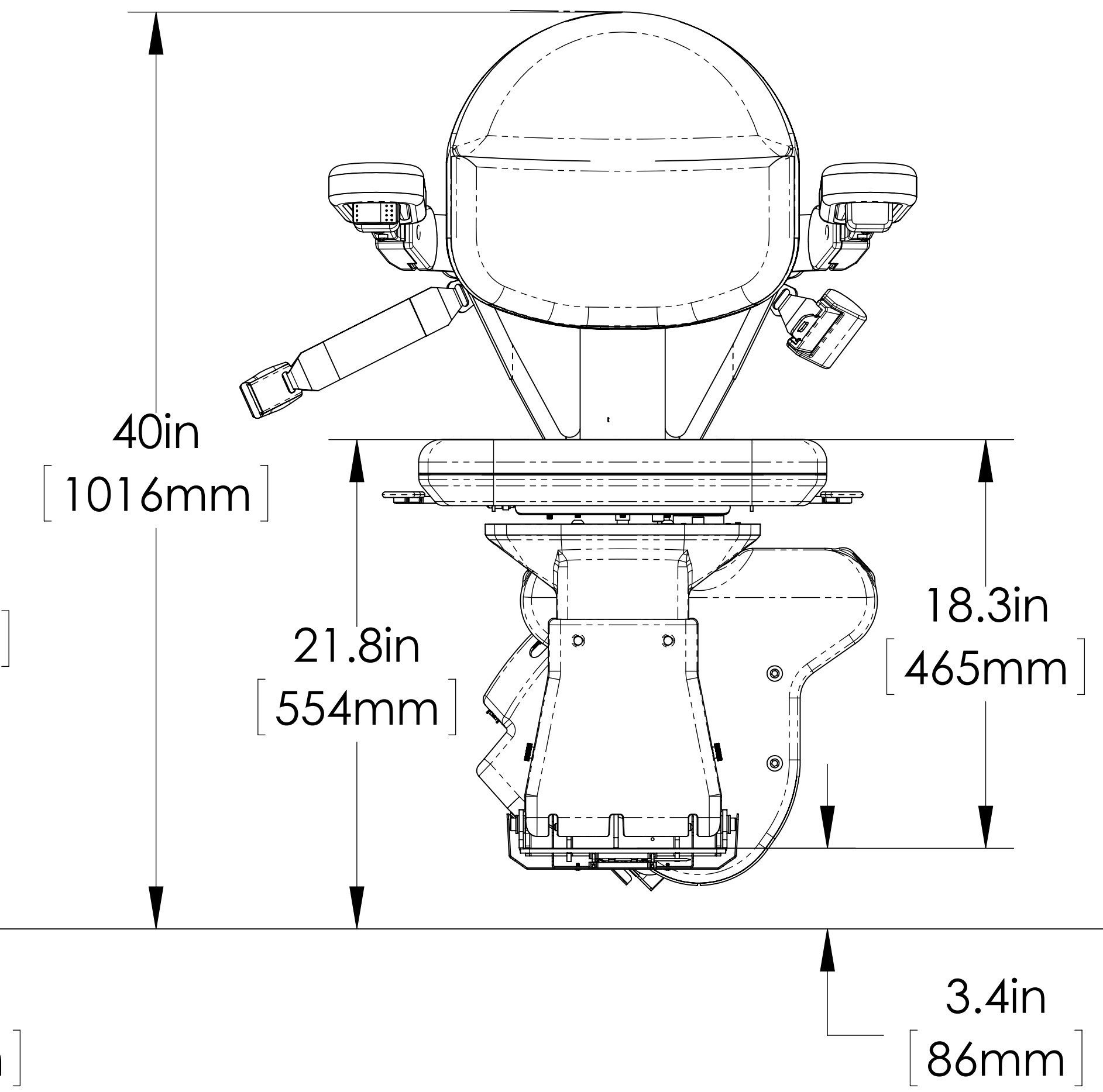
POWER SWIVEL SEAT ONLY
SRE-2010



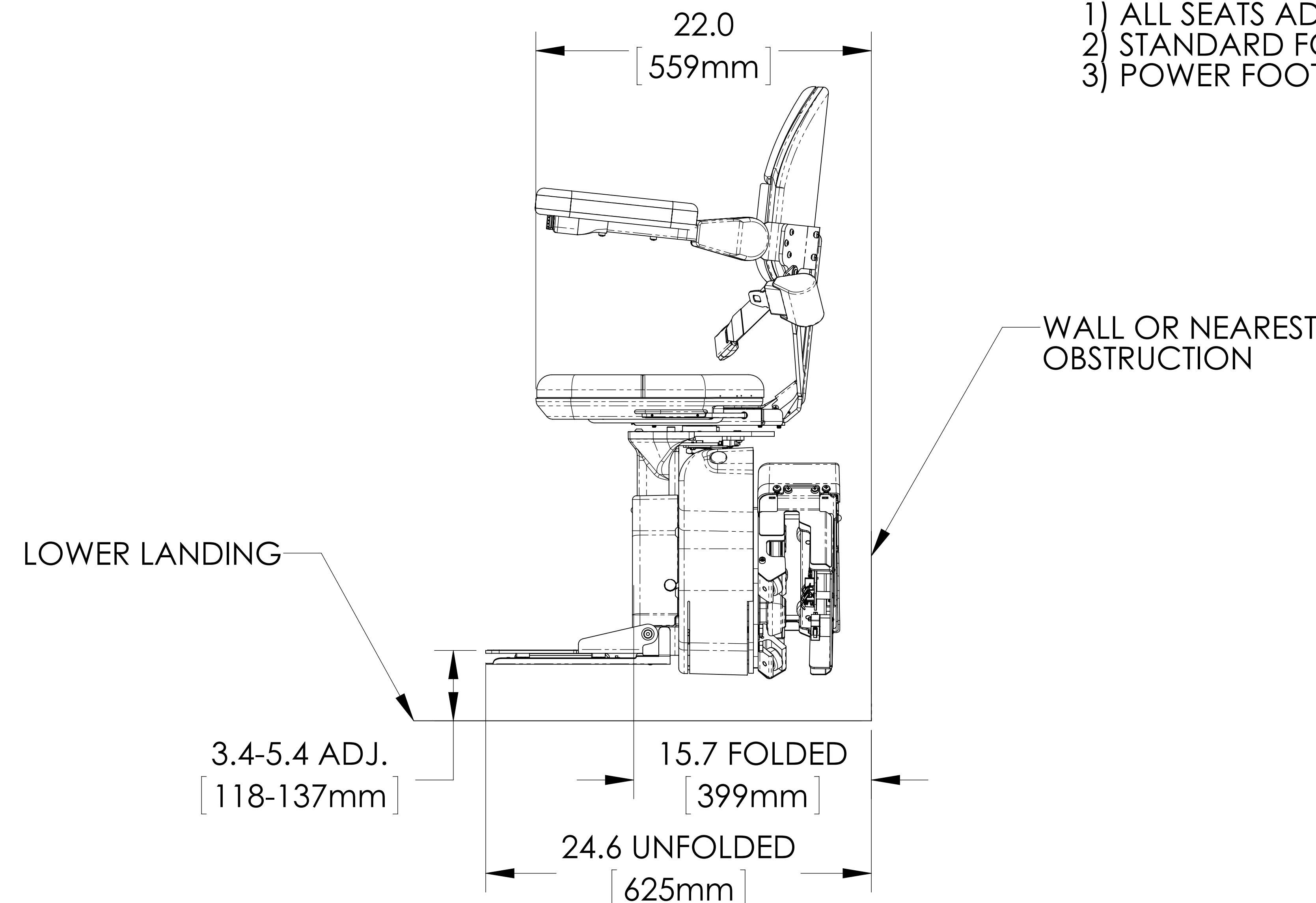
POWER SWIVEL SEAT &
POWER FOOTREST
SRE-2010



POWER FOOTREST ONLY
SRE-2010



POWER FOLDED FOOTREST
SIDE VIEW



NOTES:

- 1) ALL SEATS ADJUST UP 3" [76mm] IN 1" [25mm] INCREMENTS.
- 2) STANDARD FOOTREST ADJUSTS UP 1 1/4" [31.75mm] IN 5/8" [15.88] INCREMENTS.
- 3) POWER FOOTREST ADJUSTS UP 2" [51mm] IN 1" [25mm] INCREMENTS.

ADD DUAL DIMENSIONS (in./mm).

ILS-00853
SHEET 1 OF 1
REV. 1 (5901)(5-28-15)(KAS)

BRUNO[®]
for your independence

©Bruno Independent Living Aids, Inc.